



SAN FRANCISCO PLANNING DEPARTMENT

Executive Summary Conditional Use

HEARING DATE: JUNE 4, 2020

Record No.: 2019-015984CUA
Project Address: 590 02ND AVE
Zoning: RM-2 (RESIDENTIAL- MIXED, MODERATE DENSITY Zoning District)
40-X Height and Bulk District
North Beach Special Use District
Block/Lot: 1544 / 026
Project Sponsor: Misako Hill
1075 45th Street
Emeryville, CA 94608
Property Owner: The Low 1991 Revocable Trust
328 2nd Ave #1
San Francisco, CA 94118
Staff Contact: Ashley Lindsay- 415-575-9178
Ashley.Lindsay@sfgov.org
Recommendation: **Approval with Conditions**

1650 Mission St.
Suite 400
San Francisco,
CA 94103-2479

Reception:
415.558.6378

Fax:
415.558.6409

Planning
Information:
415.558.6377

PROJECT DESCRIPTION

The Project includes a new AT&T Mobility Macro Wireless Telecommunications Services Facility at rooftop consisting of installation of ten (10) panel antennas, and ancillary equipment as part of the AT&T Mobility Telecommunications Network. Antennas and ancillary equipment will be screened within two (2) FRP enclosures.

REQUIRED COMMISSION ACTION

In order for the Project to proceed, the Commission must grant a Conditional Use Authorization, pursuant to Planning Code Sections 209.2 and 303 to allow installation of a wireless telecommunications facility within the RM-2 Zoning District.

ISSUES AND OTHER CONSIDERATIONS

- **Public Comment & Outreach.**
 - **Opposition:** The Department received correspondence from 4 people regarding the proposed project. This correspondence has primarily expressed opposition to the project. Much of the opposition expressed concerns over radio frequency, design, noise, and reduced access to light .
 - **Outreach:** The Sponsor held a community meeting on Wednesday, November 7, 2018 from 6:00 PM to 7:30 PM . The topics of discussion included design, site selection, shadow, noise

and radio frequency. Community members expressed opposition to the Project at the meeting, citing health concerns.

ENVIRONMENTAL REVIEW

The Project is exempt from the California Environmental Quality Act (“CEQA”) as a Class 1 categorical exemption.

BASIS FOR RECOMMENDATION

The Department finds that the Project is, on balance, consistent with the Wireless Telecommunications Services (WTS) Facilities Siting Guidelines and the Objectives and Policies of the General Plan. The Project will enhance the ability of the City to protect both life and property from the effects of a fire or natural disaster by providing communication services. The Department also finds the project to be necessary, desirable, and compatible with the surrounding neighborhood, and not to be detrimental to persons or adjacent properties in the vicinity.

ATTACHMENTS:

Draft Motion – Conditional Use Authorization with Conditions of Approval
Exhibit B – Plans and Renderings
Exhibit C – Environmental Determination
Exhibit D – Land Use Data
Exhibit E – Maps and Context Photos
Exhibit F – Radio Frequency Report
Exhibit G – Department of Public Health Approval
Exhibit H – coverage Maps
Exhibit I – Independent Evaluation
Exhibit J – Alternatives Site Analysis
Exhibit K - Project Sponsor Brief



SAN FRANCISCO PLANNING DEPARTMENT

Planning Commission Draft Motion

HEARING DATE: JUNE 4, 2020

Record No.: 2019-015984CUA
Project Address: 590 02ND AVE
Zoning: RM-2 (RESIDENTIAL- MIXED, MODERATE DENSITY Zoning District)
40-X Height and Bulk District
North Beach Special Use District
Block/Lot: 1544 / 026
Project Sponsor: Misako Hill
1075 45th Street
Emeryville, CA 94608
Property Owner: The Low 1991 Revocable Trust
328 2nd Ave #1
San Francisco, CA 94118
Staff Contact: Ashley Lindsay- 415-575-9178
Ashley.Lindsay@sfgov.org

1650 Mission St.
Suite 400
San Francisco,
CA 94103-2479

Reception:
415.558.6378

Fax:
415.558.6409

Planning
Information:
415.558.6377

ADOPTING FINDINGS RELATING TO A CONDITIONAL USE AUTHORIZATION PURSUANT TO PLANNING CODE SECTION 209.2 AND 303(c), TO INSTALL A NEW ROOFTOP AT&T MOBILITY MACRO WIRELESS TELECOMMUNICATIONS FACILITY CONSISTING OF INSTALLATION OF TEN (10) PANEL ANTENNAS, AND ANCILLARY EQUIPMENT AS PART OF THE AT&T MOBILITY TELECOMMUNICATIONS NETWORK. ANTENNAS AND ANCILLARY EQUIPMENT WILL BE SCREENED WITHIN TWO (2) FRP ENCLOSURES. THE SUBJECT PROPERTY IS LOCATED AT 590 2ND AVENUE, LOTS 026 IN ASSESSOR'S BLOCK 1544, WITHIN THE RM-2 (RESIDENTIAL- MIXED, MODERATE DENSITY) ZONING DISTRICT AND 40-X HEIGHT AND BULK DISTRICT, AND ADOPTING FINDINGS UNDER THE CALIFORNIA ENVIRONMENTAL QUALITY ACT.

PREAMBLE

On September 10, 2019, Misako Hill on behalf of AT&T Mobility (hereinafter "Project Sponsor") filed Application No. 2019-015984CUA (hereinafter "Application") with the Planning Department (hereinafter "Department") for a Conditional Use Authorization to construct a new macro wireless telecommunications facility (hereinafter "Project") at 590 02ND AVE, Block 1544 Lots 026 (hereinafter "Project Site").

On June 4, 2020, the San Francisco Planning Commission (hereinafter "Commission") conducted a duly noticed public hearing at a regularly scheduled meeting on Conditional Authorization Application No. 2019-015984CUA.

On May 20, 2020 the Project was determined to be exempt from the California Environmental Quality Act ("CEQA") as a Class 1 Categorical Exemption under CEQA as described in the determination contained in the Planning Department files for this Project.

The Planning Department Commission Secretary is the custodian of records; the File for Record No. 2019-015984CUA is located at 1650 Mission Street, Suite 400, San Francisco, California.

The Commission has heard and considered the testimony presented to it at the public hearing and has further considered written materials and oral testimony presented on behalf of the applicant, Department staff, and other interested parties.

MOVED, that the Commission hereby authorizes the Conditional Use Authorization as requested in Application No. 2019-015984CUA, subject to the conditions contained in "EXHIBIT A" of this motion, based on the following findings:

FINDINGS

Having reviewed the materials identified in the preamble above, and having heard all testimony and arguments, this Commission finds, concludes, and determines as follows:

1. The above recitals are accurate and constitute findings of this Commission.
2. **Project Description.** The Project includes a new AT&T Mobility Macro Wireless Telecommunications Services Facility at rooftop consisting of installation of ten (10) panel antennas, and ancillary equipment as part of the AT&T Mobility Telecommunications Network. Antennas and ancillary equipment will be screened within two (2) FRP enclosures.
3. **Site Description and Present Use.** The Project is located on one lot which has approximately 105-ft of frontage along Balboa Street, and 25-ft of frontage along 2nd Ave. The Project Site contains one existing three story residential building.
4. **Surrounding Properties and Neighborhood.** The Project Site is located within the RM-2 Zoning District. The immediate context is mixed in character with residential (houses and apartment buildings), and contains supporting nonresidential uses. The immediate neighborhood includes two-to-three story residential buildings, and nonresidential services. The Angelo J. Rossi Playground is located east of the Project Site.
5. **Public Outreach and Comments.** The Sponsor held a community meeting on Wednesday, November 7, 2018 from 6:00 PM to 7:30 PM. The topics of discussion included design, site selection, shadow, noise and radio frequency. Community members expressed opposition to the Project at the meeting, citing health concerns. The Department received correspondence from 4 people regarding the proposed project. This correspondence has primarily expressed opposition

to the project. Much of the opposition expressed concerns over radio frequency, design, noise, and reduced access to light .

6. **Past History and Actions.** The Planning Commission adopted the *Wireless Telecommunications Services (WTS) Facilities Siting Guidelines* (“Guidelines”) for the installation of wireless telecommunications facilities in 1996. These Guidelines set forth the land use policies and practices that guide the installation and approval of wireless facilities throughout San Francisco. A large portion of the Guidelines was dedicated to establishing location preferences for these installations. The Board of Supervisors, in Resolution No. 635-96, provided input as to where wireless facilities should be located within San Francisco. The Guidelines were updated by the Commission in 2003 and again in 2012, requiring community outreach, notification, and detailed information about the facilities to be installed.

Section 8.1 of the Guidelines outlines Location Preferences for wireless facilities. There are five primary areas where the installation of wireless facilities should be located:

1. Publicly-used Structures: such facilities as fire stations, utility structures, community facilities, and other public structures;
2. Co-Location Site: encourages installation of facilities on buildings that already have wireless installations;
3. Industrial or Commercial Structures: buildings such as warehouses, factories, garages, service stations;
4. Industrial or Commercial Structures: buildings such as supermarkets, retail stores, banks; and
5. Mixed-Use Buildings in High Density Districts: buildings such as housing above commercial or other non-residential space.

Section 8.1 of the WTS Siting Guidelines further stipulates that the Planning Commission will not approve WTS applications for Preference 5 or below Location Sites unless the application describes (a) what publicly-used building, co-location site or other Preferred Location Sites are located within the geographic service area; (b) what good faith efforts and measures were taken to secure these more Preferred Locations, (c) explains why such efforts were unsuccessful; and (d) demonstrates that the location for the site is essential to meet demands in the geographic service area and the Applicant’s citywide networks.

Before the Planning Commission can review an application to install a wireless facility, the Project Sponsor must submit a five-year facilities plan, which must be updated biannually, an emissions report and approval by the Department of Public Health, Section 106 Declaration of Intent, an independent evaluation verifying coverage and capacity, a submittal checklist and details about the facilities to be installed.

Under Section 704(B)(iv) of the 1996 Federal Telecommunications Act, local jurisdictions cannot deny wireless facilities based on Radio Frequency (RF) radiation emissions so long as such facilities comply with the FCC's regulations concerning such emissions.

6. **Location Preference.** The *WTS Facilities Siting Guidelines* identify different types of zoning districts and building uses for the siting of wireless telecommunications facilities. Based on the zoning and land use, the proposed WTS facility is at a Location Preference 7 Site (Disfavored Sites) according to the *WTS Facilities Siting Guidelines*, making it not a desired location unless the Project application (a) shows what publicly-used building, co-location site or other Preferred Location Sites are located within the geographic service area; (b) shows by clear and convincing evidence what good faith efforts and measures to secure these Preferred Location Sites were taken; (c) explains why such efforts were unsuccessful; and (d) demonstrates that the location for the site is essential to meet demands in the geographic service area and the Applicant's citywide network.
7. **Radio Waves Range.** The Project Sponsor has stated that the proposed wireless network is designed to address coverage and capacity needs in the area. The network will operate at 3,210 watts for WCS, 5,280 watts for AWS, 4,620 watts for PCS, 1,800 watts for cellular, and 3,960 watts for 700 MHz service, which are regulated by the Federal Communications Commission (FCC) and must comply with the FCC-adopted health and safety standards for electromagnetic radiation and radio frequency radiation.
8. **Radiofrequency (RF) Emissions:** The Project Sponsor retained Hammett & Edison, Inc., Consulting Engineers, a radio engineering consulting firm, to prepare a report describing the expected RF emissions from the proposed facility. Pursuant to the Guidelines, the Department of Public Health reviewed the report and determined that the proposed facility complies with the standards set forth in the Guidelines.
9. **Department of Public Health Review and Approval.** The Project was referred to the Department of Public Health (DPH) for emissions exposure analysis. Radio-Frequency (RF) levels from the proposed AT&T Mobility transmitters at any nearby publicly accessible building or area would be 98% of the FCC public exposure limit.

There are two (2) existing antennas on the rooftop of the building at 2900 Market Street. Existing RF levels at ground were approximately well below the FCC public exposure limit. There were observed no other antennas within 100 feet of this site. T-Mobile proposes to install three (3) new antennas. The height to the top of the antennas is approximately 43 feet above the ground. The estimated RF field from the proposed T-Mobile transmitters at ground level is calculated to be 0.041406 mW/sq cm., which is 8.8% of the FCC public exposure limit. The three dimensional perimeter of RF levels equal to the public exposure limit extends 13 feet, and the three dimensional perimeter of RF level equal to the occupational exclusion limit extends 6 feet; both limits do not reach any publicly accessible areas. Warning signs must be posted at the antennas

and roof access points in English, Spanish and Chinese. Workers should not have access to within 13 feet of the front of the antennas while they are in operation.

10. **Coverage and Capacity Verification.** The maps, data, and conclusion provided by AT&T Mobility to demonstrate the need for outdoor and indoor coverage and capacity have been determined by Hammett & Edison, Inc., Consulting Engineers, an engineering consultant and independent third party, to accurately represent the carrier's present and post-installation conclusions.
12. **Maintenance Schedule.** The facility would operate without on-site staff but with a maintenance crew visiting the property to service and monitor the facility.
13. **Planning Code Compliance.** The Commission finds that the Project is consistent with the relevant provisions of the Planning Code in the following manner:
 - A. **Use.** Per Planning Code Section 209.2, a Conditional Use Authorization is required for a macro WTS facility (Utility and Infrastructure Use).
14. **Conditional Use Findings.** Planning Code Section 303 establishes criteria for the Planning Commission to consider when reviewing applications for Conditional Use authorization. On balance, the project complies with said criteria in that:
 - A. The proposed new uses and building, at the size and intensity contemplated and at the proposed location, will provide a development that is necessary or desirable, and compatible with, the neighborhood or the community.

The Project at 590 2nd Ave is generally compatible with the surrounding neighborhood. The Project will not conflict with the existing use of the property and is designed to be compatible with the surrounding neighborhood. Screening elements are situated as to ensure harmony with the existing neighborhood character.

There is an existing coverage gap in the AT&T Mobility wireless telecommunications network. A new facility is necessary to close the service coverage gap in the network area bordered by Anza Street to the north, 3rd Avenue to the east, Golden Gate Avenue to the south, and Arguello Boulevard to the west.

The proposed facility will enhance the area's public safety infrastructure by providing wireless telecommunication services to the surrounding neighborhood and local at all times, and during natural disasters or other emergencies.
 - B. The proposed project will not be detrimental to the health, safety, convenience or general welfare of persons residing or working in the vicinity. There are no features of the project

that could be detrimental to the health, safety or convenience of those residing or working the area, in that:

- (1) Nature of proposed site, including its size and shape, and the proposed size, shape and arrangement of structures;

The Project height and bulk of the existing building is minimally impacted and will not significantly alter the existing appearance or character of the project vicinity. The proposed work will not affect the building envelope or alter the use of the property.

- (2) The accessibility and traffic patterns for persons and vehicles, the type and volume of such traffic, and the adequacy of proposed off-street parking and loading;

The Planning Code does not require parking or loading for a telecommunications wireless facility. The proposed use is designed to meet the needs of the immediate neighborhood and should not generate significant amounts of vehicular trips from the immediate neighborhood or citywide.

- (3) The safeguards afforded to prevent noxious or offensive emissions such as noise, glare, dust and odor;

While some noise and dust may result from the installation of the antennas and transceiver equipment, noise or noxious emissions from continued use are not likely to be significantly greater than ambient conditions due to the operation of the wireless communication network.

- (4) Treatment given, as appropriate, to such aspects as landscaping, screening, open spaces, parking and loading areas, service areas, lighting and signs;

The facility will not affect landscaping, open space, required parking, lighting or signage at the Project Site or surrounding area.

- C. That the use as proposed will comply with the applicable provisions of the Planning Code and will not adversely affect the General Plan.

The Project complies with all relevant requirements and standards of the Planning Code and is consistent with objectives and policies of the General Plan as detailed below.

15. **General Plan Compliance.** The Project is, on balance, consistent with the following Objectives and Policies of the General Plan:

HOUSING ELEMENT

Objectives and Policies

OBJECTIVE 12:

BALANCE HOUSING GROWTH WITH ADEQUATE INFRASTRUCTURE THAT SERVES THE CITY'S GROWING POPULATION.

Policy 12.3:

Ensure new housing is sustainable supported by the City's public infrastructure systems.

The Project will improve AT&T Mobility coverage and capacity within the Inner Richmond neighborhood.

COMMERCE AND INDUSTRY ELEMENT

Objectives and Policies

OBJECTIVE 1:

MANAGE ECONOMIC GROWTH AND CHANGE TO ENSURE ENHANCEMENT OF THE TOTAL CITY LIVING AND WORKING ENVIRONMENT.

Policy 1.1:

Encourage development, which provides substantial net benefits and minimizes undesirable consequences. Discourage development, which has substantial undesirable consequences that cannot be mitigated.

Policy 1.2:

Assure that all commercial and industrial uses meet minimum, reasonable performance standards.

The Project will enhance the total city living and working environment by providing communication services for residents and workers within the City. Additionally, the Project would comply with Federal, State and Local performance standards.

OBJECTIVE 2:

MAINTAIN AND ENHANCE A SOUND AND DIVERSE ECONOMIC BASE AND FISCAL STRUCTURE FOR THE CITY.

Policy 2.1:

Seek to retain existing commercial and industrial activity and to attract new such activity to the city.

Policy 2.3:

Maintain a favorable social and cultural climate in the city in order to enhance its attractiveness as a firm location.

The Site will be an integral part of a new wireless communications network that will enhance the City's diverse economic base.

OBJECTIVE 4:

IMPROVE THE VIABILITY OF EXISTING INDUSTRY IN THE CITY AND THE ATTRACTIVENESS OF THE CITY AS A LOCATION FOR NEW INDUSTRY.

Policy 4.1:

Maintain and enhance a favorable business climate in the City.

Policy 4.2:

Promote and attract those economic activities with potential benefit to the City.

The Project will benefit the City by enhancing the business climate through improved communication services for residents and workers.

VISITOR TRADE

OBJECTIVE 8:

ENHANCE SAN FRANCISCO'S POSITION AS A NATIONAL CENTER FOR CONVENTIONS AND VISITOR TRADE.

Policy 8.3:

Assure that areas of particular visitor attraction are provided with adequate public services for both residents and visitors.

The Project will ensure that residents and visitors have adequate public service in the form of AT&T Mobility telecommunications.

COMMUNITY SAFETY ELEMENT

Objectives and Policies

OBJECTIVE 3:

ESTABLISH STRATEGIES TO ADDRESS THE IMMEDIATE EFFECTS OF A DISASTER.

Policy 1.20

Increase communication capabilities in preparation for all phases of a disaster and ensure communication abilities extend to hard-to-reach areas and special populations.

Policy 2.4

Bolster the Department of Emergency Management's role as the City's provider of emergency planning and communication, and prioritize its actions to meet the needs of San Francisco.

Policy 2.15

Utilize advancing technology to enhance communication capabilities in preparation for all phases of a disaster, particularly in the high-contact period immediately following a disaster.

Policy 3.7:

Develop a system to convey personalized information during and immediately after a disaster.

The Project will enhance the ability of the City to protect both life and property from the effects of a fire or natural disaster by providing communication services.

16. **Planning Code Section 101.1(b)** establishes eight priority-planning policies and requires review of permits for consistency with said policies. On balance, the project complies with said policies in that:

A. That existing neighborhood-serving retail uses be preserved and enhanced and future opportunities for resident employment in and ownership of such businesses be enhanced.

The wireless communications network will enhance personal communication services for businesses and customers in the surrounding area.

B. That existing housing and neighborhood character be conserved and protected in order to preserve the cultural and economic diversity of our neighborhoods.

No residential uses will be displaced or altered in any way by the granting of this Authorization.

C. That the City's supply of affordable housing be preserved and enhanced,

The Project will have no adverse effect on housing in the vicinity.

D. That commuter traffic not impede MUNI transit service or overburden our streets or neighborhood parking.

Due to the nature of the Project and minimal maintenance or repair, municipal transit service will not be significantly impeded and neighborhood parking will not be overburdened.

- E. That a diverse economic base be maintained by protecting our industrial and service sectors from displacement due to commercial office development, and that future opportunities for resident employment and ownership in these sectors be enhanced.

The Project will not cause any displacement of industrial and service sector activity.

- F. That the City achieve the greatest possible preparedness to protect against injury and loss of life in an earthquake.

The Project will be designed and will be constructed to conform to the structural and seismic safety requirements of the Building Code. This proposal will not impact the property's ability to withstand an earthquake.

- G. That landmarks and historic buildings be preserved.

Currently, the Project Site does not contain any City Landmarks or historic buildings.

- H. That our parks and open space and their access to sunlight and vistas be protected from development.

The Project will not adversely affect parks or open space, nor their access to sunlight or public vistas.

17. The Project is consistent with and would promote the general and specific purposes of the Code provided under Section 101.1(b) in that, as designed, the Project would contribute to the character and stability of the neighborhood and would constitute a beneficial development.
18. The Commission hereby finds that approval of the Conditional Use Authorization would promote the health, safety and welfare of the City.

DECISION

That based upon the Record, the submissions by the Applicant, the staff of the Department and other interested parties, the oral testimony presented to this Commission at the public hearings, and all other written materials submitted by all parties, the Commission hereby **APPROVES Conditional Use Authorization Application No. 2019-015984CUA** subject to the following conditions attached hereto as "EXHIBIT A" in general conformance with plans on file, dated February 6, 2020, and stamped "EXHIBIT B", which is incorporated herein by reference as though fully set forth.

Protest of Fee or Exaction: You may protest any fee or exaction subject to Government Code Section 66000 that is imposed as a condition of approval by following the procedures set forth in Government Code Section 66020. The protest must satisfy the requirements of Government Code Section 66020(a) and must be filed within 90 days of the date of the first approval or conditional approval of the development referencing the challenged fee or exaction. For purposes of Government Code Section 66020, the date of imposition of the fee shall be the date of the earliest discretionary approval by the City of the subject development.

If the City has not previously given Notice of an earlier discretionary approval of the project, the Planning Commission's adoption of this Motion, Resolution, Discretionary Review Action or the Zoning Administrator's Variance Decision Letter constitutes the approval or conditional approval of the development and the City hereby gives **NOTICE** that the 90-day protest period under Government Code Section 66020 has begun. If the City has already given Notice that the 90-day approval period has begun for the subject development, then this document does not re-commence the 90-day approval period.

I hereby certify that the Planning Commission **ADOPTED** the foregoing Motion on June 4, 2020.

Jonas P. Ionin
Commission Secretary

AYES:

NAYS:

ABSENT:

ADOPTED: June 4, 2020

EXHIBIT A

AUTHORIZATION

This authorization is for a conditional use to allow a Wireless Telecommunications Facility (d.b.a. XXXXXX) located at 590 2nd Avenue, Block 1544, and Lot 026 pursuant to Planning Code Section(s) 209.2 and 303(c) within the **RM-2** District and a **40-X** Height and Bulk District; in general conformance with plans, dated **February 6, 2020**, and stamped "EXHIBIT B" included in the docket for Record No. XXXXXX and subject to conditions of approval reviewed and approved by the Commission on **June 4, 2020** under Motion No XXXXXX. This authorization and the conditions contained herein run with the property and not with a particular Project Sponsor, business, or operator.

RECORDATION OF CONDITIONS OF APPROVAL

Prior to the issuance of the building permit or commencement of use for the Project the Zoning Administrator shall approve and order the recordation of a Notice in the Official Records of the Recorder of the City and County of San Francisco for the subject property. This Notice shall state that the project is subject to the conditions of approval contained herein and reviewed and approved by the Planning Commission on **June 4, 2020** under Motion No XXXXXX.

PRINTING OF CONDITIONS OF APPROVAL ON PLANS

The conditions of approval under the 'Exhibit A' of this Planning Commission Motion No. XXXXXX shall be reproduced on the Index Sheet of construction plans submitted with the site or building permit application for the Project. The Index Sheet of the construction plans shall reference to the Conditional Use authorization and any subsequent amendments or modifications.

SEVERABILITY

The Project shall comply with all applicable City codes and requirements. If any clause, sentence, section or any part of these conditions of approval is for any reason held to be invalid, such invalidity shall not affect or impair other remaining clauses, sentences, or sections of these conditions. This decision conveys no right to construct, or to receive a building permit. "Project Sponsor" shall include any subsequent responsible party.

CHANGES AND MODIFICATIONS

Changes to the approved plans may be approved administratively by the Zoning Administrator. Significant changes and modifications of conditions shall require Planning Commission approval of a new Conditional Use authorization.

Conditions of Approval, Compliance, Monitoring, and Reporting

PERFORMANCE

1. **Validity.** The authorization and right vested by virtue of this action is valid for three (3) years from the effective date of the Motion. The Department of Building Inspection shall have issued a Building Permit or Site Permit to construct the project and/or commence the approved use within this three-year period.
For information about compliance, contact Code Enforcement, Planning Department at 415-575-6863, www.sf-planning.org
2. **Expiration and Renewal.** Should a Building or Site Permit be sought after the three (3) year period has lapsed, the project sponsor must seek a renewal of this Authorization by filing an application for an amendment to the original Authorization or a new application for Authorization. Should the project sponsor decline to so file, and decline to withdraw the permit application, the Commission shall conduct a public hearing in order to consider the revocation of the Authorization. Should the Commission not revoke the Authorization following the closure of the public hearing, the Commission shall determine the extension of time for the continued validity of the Authorization.
For information about compliance, contact Code Enforcement, Planning Department at 415-575-6863, www.sf-planning.org
3. **Diligent pursuit.** Once a site or Building Permit has been issued, construction must commence within the timeframe required by the Department of Building Inspection and be continued diligently to completion. Failure to do so shall be grounds for the Commission to consider revoking the approval if more than three (3) years have passed since this Authorization was approved.
For information about compliance, contact Code Enforcement, Planning Department at 415-575-6863, www.sf-planning.org
4. **Extension.** All time limits in the preceding three paragraphs may be extended at the discretion of the Zoning Administrator where implementation of the project is delayed by a public agency, an appeal or a legal challenge and only by the length of time for which such public agency, appeal or challenge has caused delay.
For information about compliance, contact Code Enforcement, Planning Department at 415-575-6863, www.sf-planning.org
5. **Conformity with Current Law.** No application for Building Permit, Site Permit, or other entitlement shall be approved unless it complies with all applicable provisions of City Codes in effect at the time of such approval.
For information about compliance, contact Code Enforcement, Planning Department at 415-575-6863, www.sf-planning.org

DESIGN – COMPLIANCE AT PLAN STAGE

6. **Final Materials.** The Project Sponsor shall continue to work with Planning Department on the building design. Final materials, glazing, color, texture, landscaping, and detailing shall be subject to Department staff review and approval. The architectural addenda shall be reviewed and approved by the Planning Department prior to issuance.

For information about compliance, contact the Case Planner, Planning Department at 415-558-6378, www.sf-planning.org

7. **Rooftop Mechanical Equipment.** Pursuant to Planning Code 141, the Project Sponsor shall submit a roof plan to the Planning Department prior to Planning approval of the building permit application. Rooftop mechanical equipment, if any is proposed as part of the Project, is required to be screened so as not to be visible from any point at or below the roof level of the subject building.

For information about compliance, contact the Case Planner, Planning Department at 415-558-6378, www.sf-planning.org

8. **Plan Drawings - WTS.** Prior to the issuance of any building or electrical permits for the installation of the facilities, the Project Sponsor shall submit final scaled drawings for review and approval by the Planning Department ("Plan Drawings"). The Plan Drawings shall describe:

- A. **Structure and Siting.** Identify all facility related support and protection measures to be installed. This includes, but is not limited to, the location(s) and method(s) of placement, support, protection, screening, paint and/or other treatments of the antennas and other appurtenances to insure public safety, insure compatibility with urban design, architectural and historic preservation principles, and harmony with neighborhood character.
- B. For the Project Site, regardless of the ownership of the existing facilities. Identify the location of all existing antennas and facilities; and identify the location of all approved (but not installed) antennas and facilities.
- C. **Emissions.** Provide a report, subject to approval of the Zoning Administrator, that operation of the facilities in addition to ambient RF emission levels will not exceed adopted FCC standards with regard to human exposure in uncontrolled areas.

For information about compliance, contact the Case Planner, Planning Department at 415-558-6378, www.sf-planning.org

9. **Screening - WTS.** To the extent necessary to ensure compliance with adopted FCC regulations regarding human exposure to RF emissions, and upon the recommendation of the Zoning Administrator, the Project Sponsor shall:

- A. Modify the placement of the facilities;
- B. Install fencing, barriers or other appropriate structures or devices to restrict access to the facilities;

- C. Install multi-lingual signage, including the RF radiation hazard warning symbol identified in ANSI C95.2 1982, to notify persons that the facility could cause exposure to RF emissions;
- D. Implement any other practice reasonably necessary to ensure that the facility is operated in compliance with adopted FCC RF emission standards.
- E. To the extent necessary to minimize visual obtrusion and clutter, installations shall conform to the following standards:
- F. Antennas and back up equipment shall be painted, fenced, landscaped or otherwise treated architecturally so as to minimize visual effects;
- G. Rooftop installations shall be setback such that back up facilities are not viewed from the street;
- H. Antennae attached to building facades shall be so placed, screened or otherwise treated to minimize any negative visual impact; and
- I. Although co location of various companies' facilities may be desirable, a maximum number of antennas and back up facilities on the Project Site shall be established, on a case by case basis, such that "antennae farms" or similar visual intrusions for the site and area is not created.

For information about compliance, contact the Case Planner, Planning Department at 415-558-6378, www.sf-planning.org

MONITORING - AFTER ENTITLEMENT

10. **Enforcement.** Violation of any of the Planning Department conditions of approval contained in this Motion or of any other provisions of Planning Code applicable to this Project shall be subject to the enforcement procedures and administrative penalties set forth under Planning Code Section 176 or Section 176.1. The Planning Department may also refer the violation complaints to other city departments and agencies for appropriate enforcement action under their jurisdiction.
- For information about compliance, contact Code Enforcement, Planning Department at 415-575-6863, www.sf-planning.org*

11. **Revocation due to Violation of Conditions.** Should implementation of this Project result in complaints from interested property owners, residents, or commercial lessees which are not resolved by the Project Sponsor and found to be in violation of the Planning Code and/or the specific conditions of approval for the Project as set forth in Exhibit A of this Motion, the Zoning Administrator shall refer such complaints to the Commission, after which it may hold a public hearing on the matter to consider revocation of this authorization.
- For information about compliance, contact Code Enforcement, Planning Department at 415-575-6863, www.sf-planning.org*

12. **Implementation Costs - WTS.** The Project Sponsor, on an equitable basis with other WTS providers, shall pay the cost of preparing and adopting appropriate General Plan policies related

to the placement of WTS facilities. Should future legislation be enacted to provide for cost recovery for planning, the Project Sponsor shall be bound by such legislation.

The Project Sponsor or its successors shall be responsible for the payment of all reasonable costs associated with implementation of the conditions of approval contained in this authorization, including costs incurred by this Department, the Department of Public Health, the Department of Technology, Office of the City Attorney, or any other appropriate City Department or agency. The Planning Department shall collect such costs on behalf of the City.

The Project Sponsor shall be responsible for the payment of all fees associated with the installation of the subject facility, which are assessed by the City pursuant to all applicable law.

For information about compliance, contact Code Enforcement, Planning Department at 415-575-6863, www.sf-planning.org

13. **Implementation and Monitoring - WTS.** In the event that the Project implementation report includes a finding that RF emissions for the site exceed FCC Standards in any uncontrolled location, the Zoning Administrator may require the Applicant to immediately cease and desist operation of the facility until such time that the violation is corrected to the satisfaction of the Zoning Administrator.

For information about compliance, contact Code Enforcement, Planning Department at 415-575-6863, www.sf-planning.org

14. **Project Implementation Report - WTS.** The Project Sponsor shall prepare and submit to the Zoning Administrator a Project Implementation Report. The Project Implementation Report shall:
- A. Identify the three dimensional perimeter closest to the facility at which adopted FCC standards for human exposure to RF emissions in uncontrolled areas are satisfied;
 - B. Document testing that demonstrates that the facility will not cause any potential exposure to RF emissions that exceed adopted FCC emission standards for human exposure in uncontrolled areas.
 - C. The Project Implementation Report shall compare test results for each test point with applicable FCC standards. Testing shall be conducted in compliance with FCC regulations governing the measurement of RF emissions and shall be conducted during normal business hours on a non-holiday weekday with the subject equipment measured while operating at maximum power.
 - D. Testing, Monitoring, and Preparation. The Project Implementation Report shall be prepared by a certified professional engineer or other technical expert approved by the Department. At the sole option of the Department, the Department (or its agents) may monitor the performance of testing required for preparation of the Project Implementation Report. The cost of such monitoring shall be borne by the Project Sponsor pursuant to the condition related to the payment of the City's reasonable costs.
 - E. Notification and Testing. The Project Implementation Report shall set forth the testing and measurements undertaken pursuant to Conditions 2 and 4.

- F. Approval. The Zoning Administrator shall request that the Certification of Final Completion for operation of the facility not be issued by the Department of Building Inspection until such time that the Project Implementation Report is approved by the Department for compliance with these conditions.

For information about compliance, contact the Environmental Health Section, Department of Public Health at (415) 252-3800, www.sfdph.org

15. **Coverage and Capacity Verification.** Use is authorized as long as an independent evaluator, selected by the Planning Department, determines that the information and conclusions submitted by the wireless service provider in support of its request for conditional use are accurate. The wireless service provider shall fully cooperate with the evaluator and shall provide any and all data requested by the evaluator to allow the evaluator to verify that the maps, data, and conclusions about service coverage and capacity submitted are accurate. The wireless service provider shall bear all costs of said evaluation. The independent evaluator, upon request by the wireless service provider shall keep the submitted data confidential and shall sign a confidentiality agreement acceptable to the wireless service provider. The independent evaluator shall be a professional engineer licensed by the State of California.

For information about compliance, contact the Case Planner, Planning Department at 415-575-9079, www.sf-planning.org.

16. **Notification prior to Project Implementation Report - WTS.** The Project Sponsor shall undertake to inform and perform appropriate tests for residents of any dwelling units located within 25 feet of the transmitting antenna at the time of testing for the Project Implementation Report.

- A. At least twenty calendar days prior to conducting the testing required for preparation of the Project Implementation Report, the Project Sponsor shall mail notice to the Department, as well as to the resident of any legal dwelling unit within 25 feet of a transmitting antenna of the date on which testing will be conducted. The Applicant will submit a written affidavit attesting to this mail notice along with the mailing list.
- B. When requested in advance by a resident notified of testing pursuant to subsection (a), the Project Sponsor shall conduct testing of total power density of RF emissions within the residence of that resident on the date on which the testing is conducted for the Project Implementation Report.

For information about compliance, contact Code Enforcement, Planning Department at 415-575-6863, www.sf-planning.org

17. **Installation - WTS.** Within 10 days of the installation and operation of the facilities, the Project Sponsor shall confirm in writing to the Zoning Administrator that the facilities are being maintained and operated in compliance with applicable Building, Electrical and other Code requirements, as well as applicable FCC emissions standards.

For information about compliance, contact Code Enforcement, Planning Department at 415-575-6863, www.sf-planning.org

18. **Periodic Safety Monitoring - WTS.** The Project Sponsor shall submit to the Zoning Administrator 10 days after installation of the facilities, and every two years thereafter, a certification attested to by a licensed engineer expert in the field of EMR/RF emissions, that the facilities are and have been operated within the then current applicable FCC standards for RF/EMF emissions.

For information about compliance, contact the Environmental Health Section, Department of Public Health at (415) 252-3800, www.sfdph.org

OPERATION

19. **Community Liaison.** Prior to issuance of a building permit to construct the project and implement the approved use, the Project Sponsor shall appoint a community liaison officer to deal with the issues of concern to owners and occupants of nearby properties. The Project Sponsor shall provide the Zoning Administrator and all registered neighborhood groups for the area with written notice of the name, business address, and telephone number of the community liaison. Should the contact information change, the Zoning Administrator and registered neighborhood groups shall be made aware of such change. The community liaison shall report to the Zoning Administrator what issues, if any, are of concern to the community and what issues have not been resolved by the Project Sponsor.

For information about compliance, contact Code Enforcement, Planning Department at 415-575-6863, www.sf-planning.org

20. **Out of Service – WTS.** The Project Sponsor or Property Owner shall remove antennae and equipment that has been out of service or otherwise abandoned for a continuous period of six months.

For information about compliance, contact Code Enforcement, Planning Department at 415-575-6863, www.sf-planning.org

21. **Emissions Conditions – WTS.** It is a continuing condition of this authorization that the facilities be operated in such a manner so as not to contribute to ambient RF/EMF emissions in excess of then current FCC adopted RF/EMF emission standards; violation of this condition shall be grounds for revocation.

For information about compliance, contact the Environmental Health Section, Department of Public Health at (415) 252-3800, www.sfdph.org

22. **Noise and Heat – WTS.** The WTS facility, including power source and cooling facility, shall be operated at all times within the limits of the San Francisco Noise Control Ordinance. The WTS facility, including power source and any heating/cooling facility, shall not be operated so as to cause the generation of heat that adversely affects a building occupant.

For information about compliance, contact the Environmental Health Section, Department of Public Health at (415) 252-3800, www.sfdph.org

23. **Transfer of Operation – WTS.** Any carrier/provider authorized by the Zoning Administrator or by the Planning Commission to operate a specific WTS installation may assign the operation of the facility to another carrier licensed by the FCC for that radio frequency provided that such transfer is made known to the Zoning Administrator in advance of such operation, and all conditions of approval for the subject installation are carried out by the new carrier/provider.

For information about compliance, contact Code Enforcement, Planning Department at 415-575-6863, www.sf-planning.org

24. **Compatibility with City Emergency Services – WTS.** The facility shall not be operated or caused to transmit on or adjacent to any radio frequencies licensed to the City for emergency telecommunication services such that the City's emergency telecommunications system experiences interference, unless prior approval for such has been granted in writing by the City.

For information about compliance, contact the Department of Technology, 415-581-4000, <http://sfgov3.org/index.aspx?page=1421>



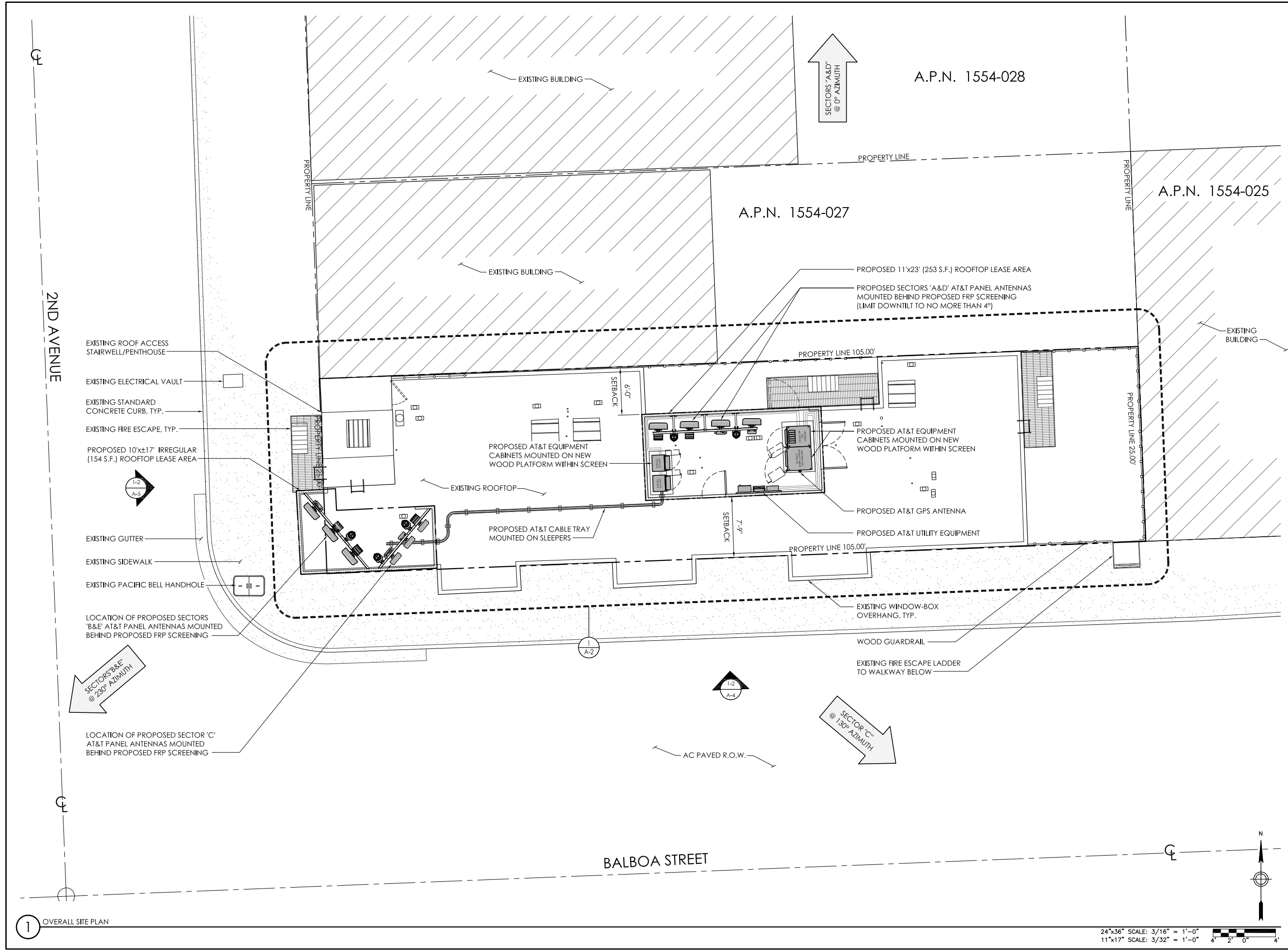
SITE NUMBER: CCL03293
SITE NAME: RSFR NSB CCL03293 - LOW APARTMENTS
SITE TYPE: ROOFTOP
ADDRESS: 590 2ND AVENUE
 SAN FRANCISCO, CA 94118



CCL03293
RSFR NSB CCL03293 -
LOW APARTMENTS
 590 2ND AVE.
 SAN FRANCISCO, CA 94118
 FA #: 13254043
 PACE #: MRSFR044493
 PT #: 3701AODMAX
 USID #: 219795

PROJECT TEAM	VICINITY MAP	CODE COMPLIANCE	SHEET INDEX																		
<p>APPLICANT / LESSEE: ALYSSA FERRIS, AT&T 5001 EXECUTIVE PARKWAY, 4W5501 SAN RAMON, CA 94583 PHONE: (530) 966-2612 EMAIL: ALYSSA.BRANDTMAN@ATT.COM</p> <p>CONSTRUCTION MANAGER: STEVE KNAPPE NSB CONSTRUCTION MANAGER VINCLUMS SERVICES, LLC PHONE: (916) 502-5988 EMAIL: sknappe@vinculums.com</p> <p>RF ENGINEER: ALEXANDER KERRIGAN EMAIL: ak440b@att.com PHONE: (415) 229-9201</p> <p>ARCHITECT / ENGINEER: ALL STATES ENGINEERING & SURVEYING CONTACT: ROGER FLORES EMAIL: roger@zcalzali.com O: (949) 273-0996x109 M: (562) 841-1264</p> <p>PROJECT MANAGER: J5 INFRASTRUCTURE PARTNERS CONTACT: MISAKO HILL EMAIL: mh11@j5ip.com PHONE: (415) 533-2540</p> <p>SITE ACQUISITION: CHRISTINE LINDSTRAND J5 INFRASTRUCTURE PARTNERS PHONE: (916) 559-0359 EMAIL: clindstrand@j5ip.com</p>		<p>ALL WORK AND MATERIALS SHALL BE PERFORMED AND INSTALLED IN ACCORDANCE WITH THE CURRENT EDITIONS OF THE FOLLOWING CODES AS ADOPTED BY THE LOCAL GOVERNING AUTHORITIES. NOTHING IN THESE PLANS IS TO BE CONSTRUED TO PERMIT WORK NOT CONFORMING TO THESE CODES.</p> <ol style="list-style-type: none"> 2016 CALIFORNIA ADMINISTRATIVE CODE, CHAPTER 10, PART 1, TITLE 24 CODE OF REGULATIONS 2016 CALIFORNIA BUILDING CODE (CBC) 2016 CALIFORNIA RESIDENTIAL CODE (CRC) WITH APPENDIX H, PATIO COVERS, BASED ON THE 2012 IRC (PART 2.5) 2016 CALIFORNIA GREEN BUILDINGS STANDARDS CODE (CALGREEN) (PART 11) (AFFECTED ENERGY PROVISIONS ONLY) 2016 CALIFORNIA FIRE CODE (CFC), BASED ON THE 2012 IFC, WITH CALIFORNIA AMENDMENTS (PART 9) 2016 CALIFORNIA MECHANICAL CODE (CMC), BASED ON THE 2012 UMC (PART 4) 2016 CALIFORNIA PLUMBING CODE (CPC), BASED ON THE 2012 UPC (PART 5) 2016 CALIFORNIA ELECTRICAL CODE (CEC) WITH CALIFORNIA AMENDMENTS, BASED ON THE 2011 NEC (PART 3) 2016 CALIFORNIA ENERGY CODE (CEC)-PART 6 ANSI / EIA-TIA-222-G 2016 NFPA 101, LIFE SAFETY CODE 2016 NFPA 72, NATIONAL FIRE ALARM CODE 2016 NFPA 13, FIRE SPRINKLER CODE 	<table border="1"> <tr><td>T-1</td><td>TITLE SHEET</td></tr> <tr><td>A-1</td><td>OVERALL SITE PLAN</td></tr> <tr><td>A-2</td><td>ENLARGED SITE PLAN</td></tr> <tr><td>A-3</td><td>EQUIPMENT PLAN</td></tr> <tr><td>A-4</td><td>ANTENNA PLAN</td></tr> <tr><td>A-5</td><td>EXISTING & PROPOSED SOUTH ELEVATIONS</td></tr> <tr><td>A-6</td><td>EXISTING & PROPOSED WEST ELEVATIONS</td></tr> <tr><td>D-1</td><td>EQUIPMENT SPECIFICATIONS</td></tr> <tr><td>E-1</td><td>SINGLE-LINE DIAGRAM & PANEL SCHEDULE</td></tr> </table>	T-1	TITLE SHEET	A-1	OVERALL SITE PLAN	A-2	ENLARGED SITE PLAN	A-3	EQUIPMENT PLAN	A-4	ANTENNA PLAN	A-5	EXISTING & PROPOSED SOUTH ELEVATIONS	A-6	EXISTING & PROPOSED WEST ELEVATIONS	D-1	EQUIPMENT SPECIFICATIONS	E-1	SINGLE-LINE DIAGRAM & PANEL SCHEDULE
T-1	TITLE SHEET																				
A-1	OVERALL SITE PLAN																				
A-2	ENLARGED SITE PLAN																				
A-3	EQUIPMENT PLAN																				
A-4	ANTENNA PLAN																				
A-5	EXISTING & PROPOSED SOUTH ELEVATIONS																				
A-6	EXISTING & PROPOSED WEST ELEVATIONS																				
D-1	EQUIPMENT SPECIFICATIONS																				
E-1	SINGLE-LINE DIAGRAM & PANEL SCHEDULE																				
<p>PROPERTY OWNER: HARRY LOW, THE LOW 1991 REVOCABLE TRUST 328 2ND AVE # 1, SAN FRANCISCO, CA 94118 PHONE: (415) 831-6730 MOBILE (415) 244-6730 HARRLOW@AOL.COM</p> <p>JURISDICTION: CITY OF SAN FRANCISCO A.P.N.: 1544-026 CURRENT ZONING: RM-2 - RESIDENTIAL/MIXED USE EXISTING USE: APARTMENT BUILDING PROPOSED USE: MULTITUDE, APARTMENTS/COMMS FACILITY LATITUDE (NAD 83): 37.777576 37° 46' 39.27" NORTH LONGITUDE (NAD 83): -122.459482 122° 27' 34.13" W</p> <p>ACCESSIBILITY REQUIREMENTS: FACILITY IS UNMANNED AND NOT FOR HUMAN HABITATION. ACCESSIBILITY IS NOT REQUIRED PER CBC2016, SECTION 11B-203.4 (LIMITED ACCESS SPACE)</p> <p>POWER AGENCY: PG&E</p> <p>TELEPHONE AGENCY: AT&T</p> <p>RFDS VERSION: 4.00 DATE UPDATED: 4/17/19</p>	<p>GENERAL CONTRACTOR NOTES</p> <p>DO NOT SCALE DRAWINGS</p> <p>THESE PLANS ARE FORMATTED TO BE FULL SIZE AT 24" X 36". CONTRACTORS SHALL VERIFY ALL PLANS AND EXISTING DIMENSIONS AND CONDITIONS ON THE JOB SITE AND SHALL IMMEDIATELY NOTIFY THE ARCHITECT/ENGINEER IN WRITING OF ANY DISCREPANCIES BEFORE PROCEEDING WITH THE WORK OR MATERIAL ORDERS OR BE RESPONSIBLE FOR THE SAME.</p> <p>GENERAL NOTES</p> <p>THE FACILITY IS UNMANNED AND NOT FOR HUMAN HABITATION. A TECHNICIAN WILL VISIT THE SITE AS REQUIRED FOR ROUTINE MAINTENANCE. THE PROJECT WILL NOT RESULT IN ANY SIGNIFICANT DISTURBANCE OR EFFECT ON DRAINAGE; NO SANITARY SEWER SERVICE, POTABLE WATER, OR TRASH DISPOSAL IS REQUIRED AND NO COMMERCIAL SIGNAGE IS PROPOSED.</p> <p>STATEMENTS</p> <p>STRUCTURAL ANALYSIS IS NOT WITHIN THE SCOPE OF WORK CONTAINED IN THIS DRAWINGS SET. FOR ANALYSIS OF EXISTING AND/OR PROPOSED COMPONENTS, REFER TO STRUCTURAL ANALYSIS PROVIDED UNDER SEPARATE COVER.</p> <p>ANTENNA MOUNT ANALYSIS IS NOT WITHIN THE SCOPE OF WORK CONTAINED IN THIS DRAWING SET. FOR ANALYSIS OF MOUNT TO SUPPORT EXISTING AND/OR PROPOSED COMPONENTS, REFER TO ANTENNA MOUNT STRUCTURAL ANALYSIS PROVIDED UNDER SEPARATE COVER.</p>	<p>DRIVING DIRECTIONS</p> <p>5001 Executive Pkwy, San Ramon, CA 94583</p> <ol style="list-style-type: none"> TAKE SUNSET DRIVE SOUTH TO BOLLINGER CYN. RD., TURN RIGHT ONTO BOLLINGER CANYON RD. TAKE BOLLINGER CYN. RD. WEST TO I-680 SOUTH, TAKE RAMP FOR I-680 SOUTH. TAKE I-680 SOUTH ±4.2 MILES TO EXIT 30B FOR I-580 WEST TOWARD DUBLIN/OAKLAND. TAKE I-580 WEST ±27.6 MILES TO EXIT 19A FOR I-80W. TAKE I-80 OVER THE BAY BRIDGE. FROM THE BAY BRIDGE, TAKE EXIT 1B FOR US-101N, THEN CONTINUE ONTO OCTAVIA BLVD. TAKE OCTAVIA BLVD. TO A LEFT ONTO FELL ST., TAKE FELL ST. 1-1/2 MILES TO STANYAN ST. TAKE THE 1ST LEFT ONTO FULTON ST., THEN THE 4TH RIGHT ONTO 2ND AVE. SITE LOCATION IS ±1/4 MILE AHEAD ON THE RIGHT AT THE FAR, RIGHT CORNER AT BALBOA ST. (590 2ND AVE.) 	<p>PROJECT DESCRIPTION</p> <p>INSTALLATION OF A NEW SITE BUILD, UNMANNED TELECOMMUNICATIONS FACILITY, CONSISTING OF THE FOLLOWING:</p> <p>ANTENNA SOW:</p> <ul style="list-style-type: none"> INSTALLATION OF (3) AT&T SECTORS WITHIN FRP ENCLOSURES ON ROOFTOP INSTALLATION OF (10) AT&T PANEL ANTENNAS INSTALLATION OF (21) AT&T REMOTE RADIO HEADS (RRH's) INSTALLATION OF (5) DC-9 SURGE SUPPRESSORS INSTALLATION OF (1) GPS ANTENNA PROPOSED AT&T HYBRID CABLE TRAYS FROM PROPOSED EQUIPMENT TO PROPOSED ANTENNAS <p>EQUIPMENT SOW:</p> <ul style="list-style-type: none"> INSTALLATION OF (1) EMERSON DC POWER PLANT CABINET INSTALLATION OF (1) 200A AC POWER PANEL INSTALLATION OF (1) CIENA AND HOFFMAN BOX INSTALLATION OF (1) EMERSON BATTERY CABINET W/ (8) BATTERIES INSTALLATION OF (4) PURCELL FLX-WS16 STACK MOUNTED ON ROOF 																		
<p>NOT TO BE USED FOR CONSTRUCTION</p> <p>It is a violation of law for any persons, unless they are acting under the direction of a licensed professional engineer, to alter this document</p>																					
<p>TITLE SHEET</p>																					
<p>T-1</p>																					

APPLICANT: at&t mobility corp.
 VENDOR: J5 INFRASTRUCTURE
 VENDOR: ALLSTATES ENGINEERING & SURVEYING
 SITE INFORMATION: CCL03293 RSFR NSB CCL03293 - LOW APARTMENTS
 DESIGN RECORD:
 PROFESSIONAL STAMP:
 SHEET NAME:
 SHEET TITLE:



1452 EDINGER AVE.
TUSTIN, CALIFORNIA 92780



2030 MAIN STREET, SUITE 200
IRVINE, CALIFORNIA 92614



23675 BIRCHER DRIVE
LAKE FOREST, CA 92630

CCL03293
RSFR NSB CCL03293 -
LOW APARTMENTS

590 2ND AVE.
SAN FRANCISCO, CA 94118

FA #: 13254043
PAGE #: MRSFR044493
PT #: 3701AODMAX
USID #: 219795

REV	DATE	DESCRIPTION
3	02/06/20	REV PER PLANNING
2	02/01/19	NEW RFDS
1	01/16/19	ADDED ELEC. SHEET
0	12/19/18	100%ZDs
B	12/05/18	100%ZDs
A	09/20/18	90%ZDs

NOT TO BE USED FOR CONSTRUCTION

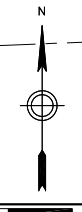
It is a violation of law for any persons, unless they are acting under the direction of a licensed professional engineer, to alter this document

OVERALL SITE PLAN

A-1

1 OVERALL SITE PLAN

24"x36" SCALE: 3/16" = 1'-0"
11"x17" SCALE: 3/32" = 1'-0"
4" 2" 0" 4"



- NOTES:
1. PROPOSED AT&T EQUIPMENT AND ANTENNAS TO BE CONCEALED WITHIN FRP SCREENS.
 2. PROPOSED AT&T FRP SCREEN TO BE TEXTURED AND PAINTED TO MATCH EXISTING BUILDING (STAIRWELL PENTHOUSE).

at&t
 mobility corp.
 1452 EDINGER AVE.
 TUSTIN, CALIFORNIA 92780

INFRASTRUCTURE
 AZ - CA - CO - ID - NM - NV - TX - UT
 2030 MAIN STREET, SUITE 200
 IRVINE, CALIFORNIA 92614

ALLSTATES
 ENGINEERING & SURVEYING
 23675 BIRTCHE DRIVE
 LAKE FOREST, CA 92630

CCL03293
 RSFR NSB CCL03293 -
 LOW APARTMENTS
 590 2ND AVE.
 SAN FRANCISCO, CA 94118

FA #: 13254043
 PACE #: MRSFR044493
 PT #: 3701AODMAX
 USID #: 219795

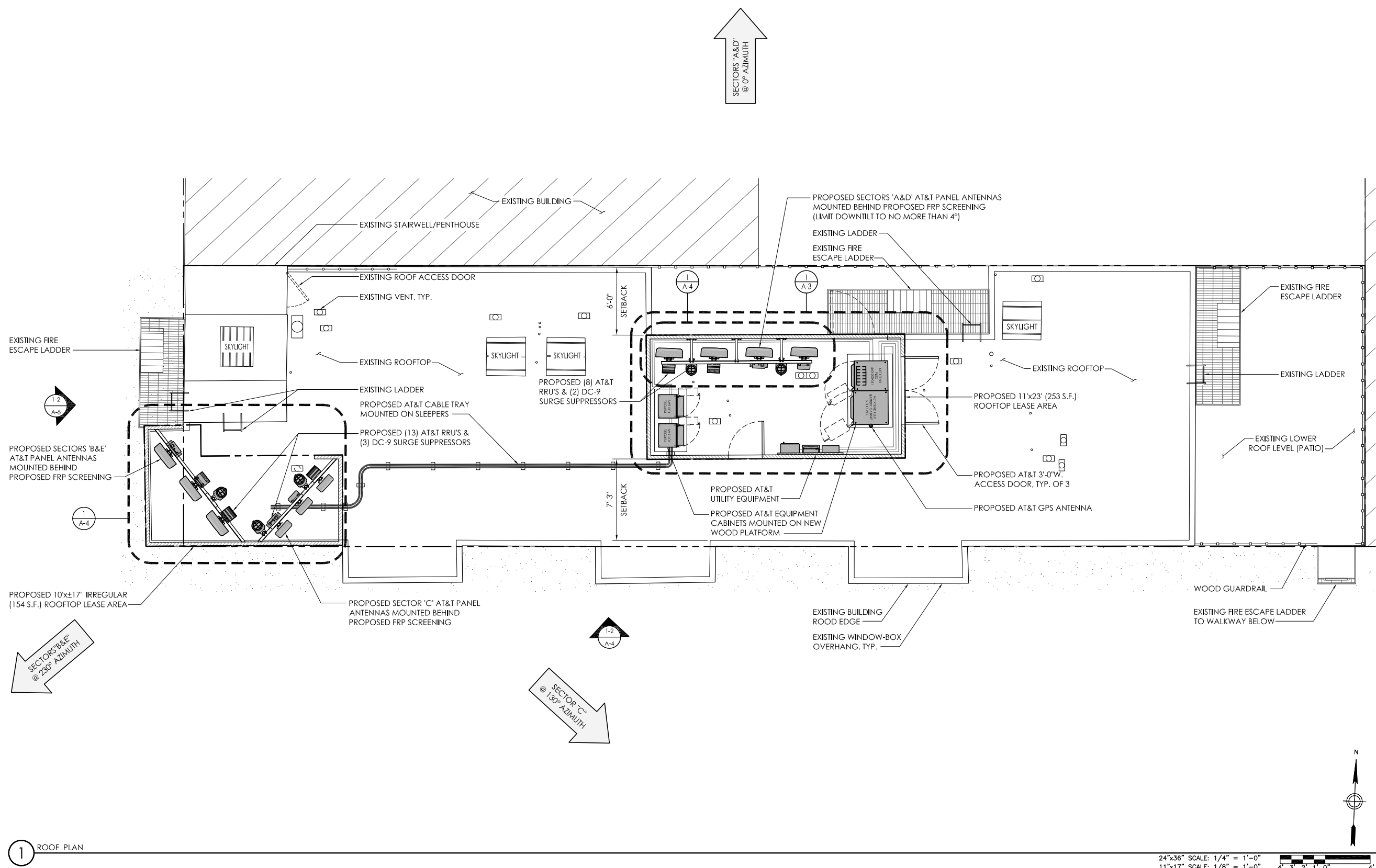
REV	DATE	DESCRIPTION
3	02/06/20	REV PER PLANNING
2	02/01/19	NEW RFDS
1	01/16/19	ADDED ELEC. SHEET
0	12/19/18	100%ZDs
B	12/05/18	100%ZDs
A	09/20/18	90%ZDs

NOT TO BE USED FOR CONSTRUCTION

It is a violation of law for any persons, unless they are acting under the direction of a licensed professional engineer, to alter this document

ROOF PLAN

A-2



1 ROOF PLAN

24"x36" SCALE: 1/4" = 1'-0"
 11"x17" SCALE: 1/8" = 1'-0"
 4' 3' 2' 1' 0' 4'

NOTE:
EQUIPMENT LOCATION IS PRELIMINARY.
PENDING STRUCTURAL ANALYSIS.

at&t
mobility corp.
1452 EDINGER AVE.
TUSTIN, CALIFORNIA 92780

INFRASTRUCTURE
AZ - CA - CO - ID - NM - NV - TX - UT
2030 MAIN STREET, SUITE 200
IRVINE, CALIFORNIA 92614

ALLSTATES
ENGINEERING & SURVEYING
23675 BIRCHER DRIVE
LAKE FOREST, CA 92630

CCL03293
RSFR NSB CCL03293 -
LOW APARTMENTS
590 2ND AVE.
SAN FRANCISCO, CA 94118

FA #: 13254043
PACE #: MRSFR044493
PT #: 3701AODMAX
USID #: 219795

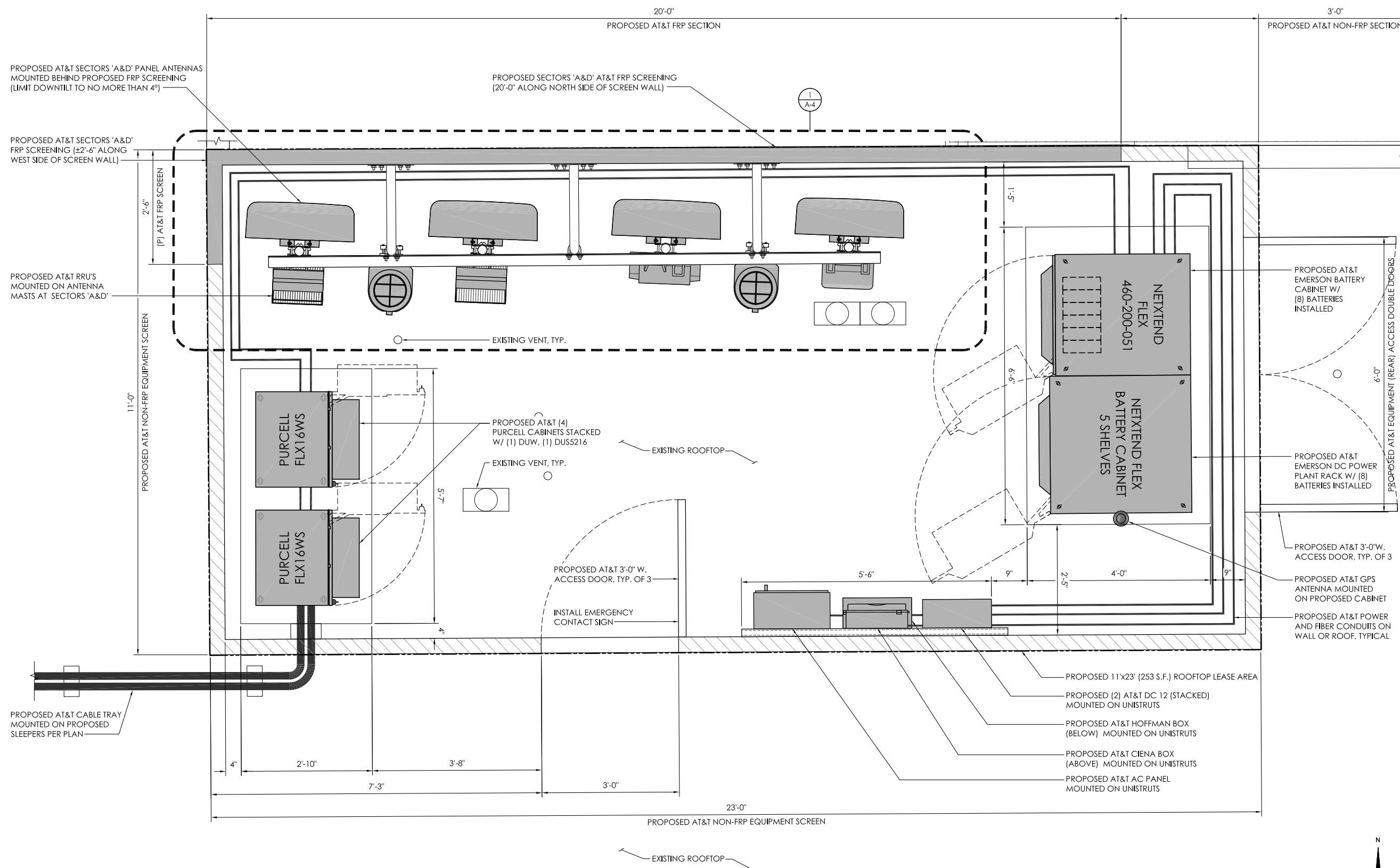
REV	DATE	DESCRIPTION
3	02/06/20	REV PER PLANNING
2	02/01/19	NEW RFDS
1	01/16/19	ADDED ELEC. SHEET
0	12/19/18	100%ZDs
B	12/05/18	100%ZDs
A	09/20/18	90%ZDs

**NOT TO BE USED
FOR CONSTRUCTION**

It is a violation of law for any persons, unless they are acting under the direction of a licensed professional engineer, to alter this document

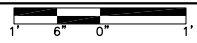
**EQUIPMENT
LAYOUT PLAN**

A-3



1 EQUIPMENT LAYOUT PLAN
1"=1'-0"

24"x36" SCALE: 1" = 1'-0"
11"x17" SCALE: 1/2" = 1'-0"



SECTOR	RRU TYPE PROPOSED	RRU LOCATION (DISTANCE FROM ANTENNA)		MINIMUM CLEARANCES			
		UP	±10'-0"	ABOVE	BELOW	SIDES	
ALPHA/DELTA	POS.1	B5/B12 4449	UP	±10'-0"	16"	12"	8"
	POS.1	B2/B66A 8843	UP	±10'-0"	16"	12"	8"
	POS.1	B5/B12 4449	UP	±10'-0"	16"	12"	8"
	POS.1	B2/B66A 8843	UP	±10'-0"	16"	12"	8"
	POS.2	B2/B66A 8843	UP	±10'-0"	16"	12"	8"
	POS.2	B2/B66A 8843	UP	±10'-0"	16"	12"	8"
	POS.3	RRUS-E2 B29	UP	±10'-0"	16"	12"	8"
	POS.3	4415 B30	UP	±10'-0"	16"	12"	8"
	POS.3	RRUS-E2 B29	UP	±10'-0"	16"	12"	8"
	POS.3	4415 B30	UP	±10'-0"	16"	12"	8"
	POS.4	B14 4478	UP	±10'-0"	16"	12"	8"
	POS.4	B14 4478	UP	±10'-0"	16"	12"	8"
BETA/EPSILON	POS.1	B5/B12 4449	UP	±10'-0"	16"	12"	8"
	POS.1	B2/B66A 8843	UP	±10'-0"	16"	12"	8"
	POS.1	B5/B12 4449	UP	±10'-0"	16"	12"	8"
	POS.1	B2/B66A 8843	UP	±10'-0"	16"	12"	8"
	POS.2	B2/B66A 8843	UP	±10'-0"	16"	12"	8"
	POS.2	B2/B66A 8843	UP	±10'-0"	16"	12"	8"
	POS.3	RRUS-E2 B29	UP	±10'-0"	16"	12"	8"
	POS.3	4415 B30	UP	±10'-0"	16"	12"	8"
	POS.3	RRUS-E2 B29	UP	±10'-0"	16"	12"	8"
	POS.3	4415 B30	UP	±10'-0"	16"	12"	8"
	POS.4	B14 4478	UP	±10'-0"	16"	12"	8"
	POS.4	B14 4478	UP	±10'-0"	16"	12"	8"

SECTOR	RRU TYPE PROPOSED	RRU LOCATION (DISTANCE FROM ANTENNA)		MINIMUM CLEARANCES			
		UP	±10'-0"	ABOVE	BELOW	SIDES	
GAMMA	POS.1	B5/B12 4449	UP	±10'-0"	16"	12"	8"
	POS.1	B2/B66A 8843	UP	±10'-0"	16"	12"	8"
	POS.2	B14 4478	UP	±10'-0"	16"	12"	8"
	POS.3	RRUS-E2 B29	UP	±10'-0"	16"	12"	8"
POS.3	4415 B30	UP	±10'-0"	16"	12"	8"	

SECTOR	TECHNOLOGY	FINAL ANTENNA AND TRANSMISSION CABLE REQUIREMENTS						
		ANTENNA MFR./MODEL #	SIZE	AZIMUTH	TRANSMISSION LINES (LENGTH FT. +/-)			
					FIBER LENGTH	FEEDER TYPE	PORT TOTAL FEEDS	
SECTORS "A"	POS. 1	LTE 700/LTE 800/LTE 1900	CCI BSA-M65R-BUU-H4-K	4'	0°	85'	FIBER	6
	POS. 2	LTE AWS	CCI BSA-M65R-BUU-H4-K	4'	0°	85'	FIBER	4
	POS. 3	LTE 700/LTW WCS	CCI BSA-M65R-BUU-H4-K	4'	0°	85'	FIBER	6
	POS. 4	LTE 700	CCI BSA-M65R-BUU-H4-K	4'	0°	85'	FIBER	2
SECTORS "B" & "E"	POS. 1	LTE 700/LTE 800/LTE 1900	CCI BSA-M65R-BUU-H4-K	4'	230°	110'	FIBER	6
	POS. 2	LTE AWS	CCI BSA-M65R-BUU-H4-K	4'	230°	110'	FIBER	6
	POS. 3	LTE 700/LTW WCS	CCI BSA-M65R-BUU-H4-K	4'	230°	110'	FIBER	6
	POS. 4	LTE 700	CCI BSA-M65R-BUU-H4-K	4'	230°	110'	FIBER	6
SECTOR "C"	C1	LTE 700/LTE 800/LTE 1900	COMMSCOPE NNHH-65A-R4	4'	130°	110'	FIBER	6
	C2	LTE 700/LTW WCS	COMMSCOPE NNHH-65A-R4	4'	130°	110'	FIBER	8
	C3	LTE 700/LTW WCS	COMMSCOPE NNHH-65A-R4	4'	130°	110'	FIBER	8

- NOTES TO CONTRACTOR:
- CONTRACTOR IS TO REFER TO AT&T'S MOST CURRENT RADIO FREQUENCY DATA SHEET (RFD) PRIOR TO CONSTRUCTION.
 - CABLE LENGTHS WERE DETERMINED BASED ON VISUAL INSPECTION DURING SITE-WALK. CONTRACTOR TO VERIFY ACTUAL LENGTH DURING PRE-CONSTRUCTION WALK.

1 PROPOSED RF SCHEDULE NTS

24"x36" SCALE: NTS
11"x17" SCALE: NTS



1452 EDINGER AVE.
TUSTIN, CALIFORNIA 92780



2030 MAIN STREET, SUITE 200
IRVINE, CALIFORNIA 92614



23675 BIRCHER DRIVE
LAKE FOREST, CA 92630

CCL03293
RSFR NSB CCL03293 -
LOW APARTMENTS
590 2ND AVE.
SAN FRANCISCO, CA 94118

FA #: 13254043
PACE #: MRSFR044493
PT #: 3701AODMAX
USID #: 219795

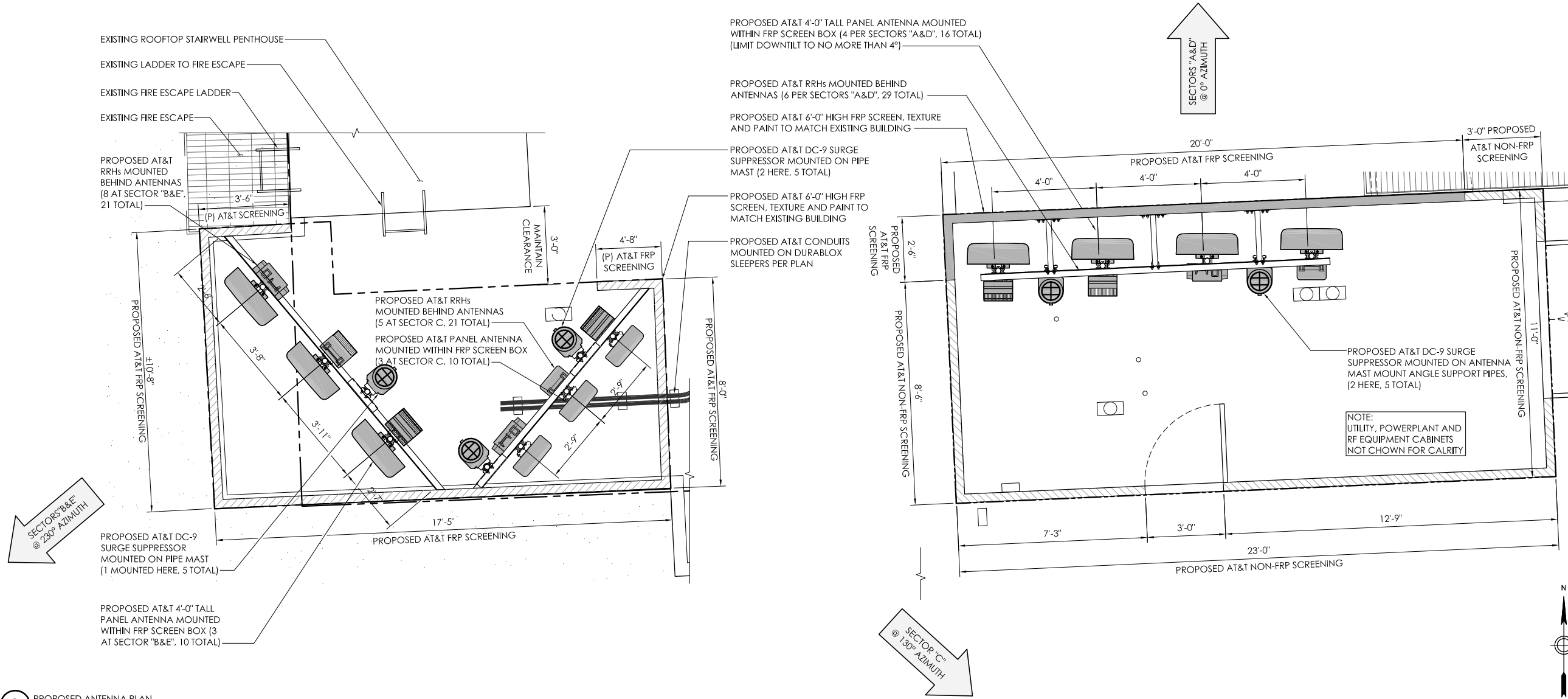
REV	DATE	DESCRIPTION
3	02/06/20	REV PER PLANNING
2	02/01/19	NEW RFDs
1	01/16/19	ADDED ELEC. SHEET
0	12/19/18	100%ZDs
B	12/05/18	100%ZDs
A	09/20/18	90%ZDs

NOT TO BE USED FOR CONSTRUCTION

It is a violation of law for any persons, unless they are acting under the direction of a licensed professional engineer, to alter this document

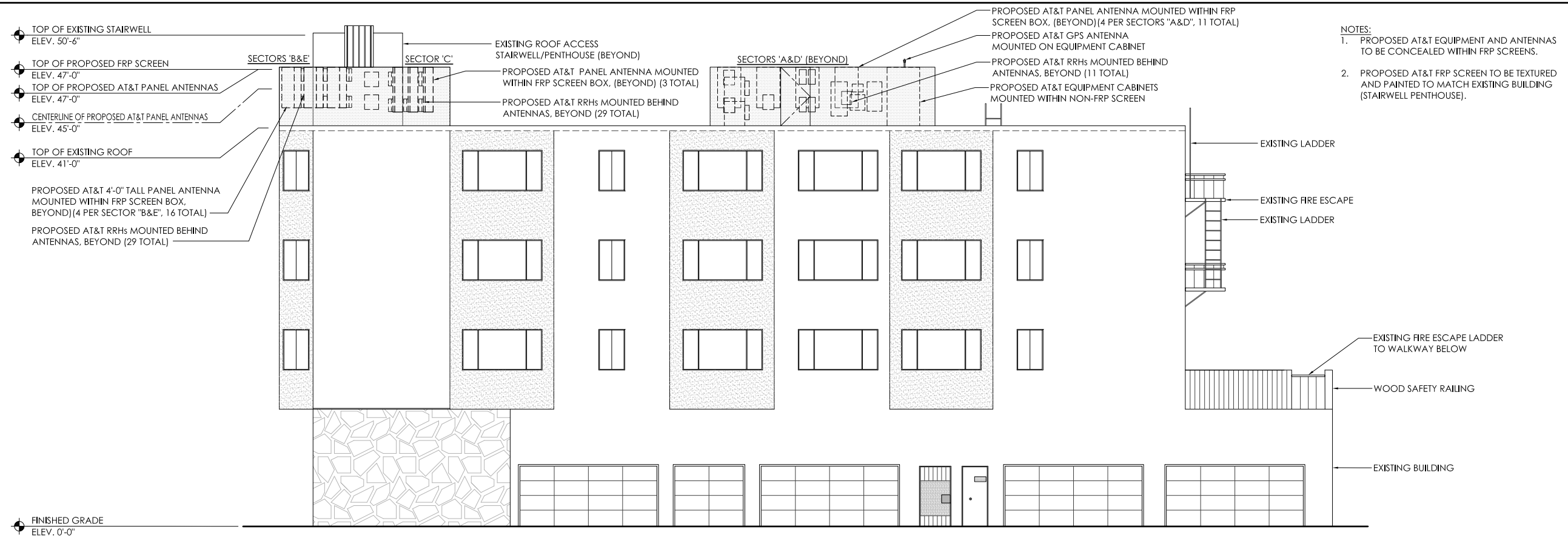
ANTENNA PLAN

A-4



1 PROPOSED ANTENNA PLAN

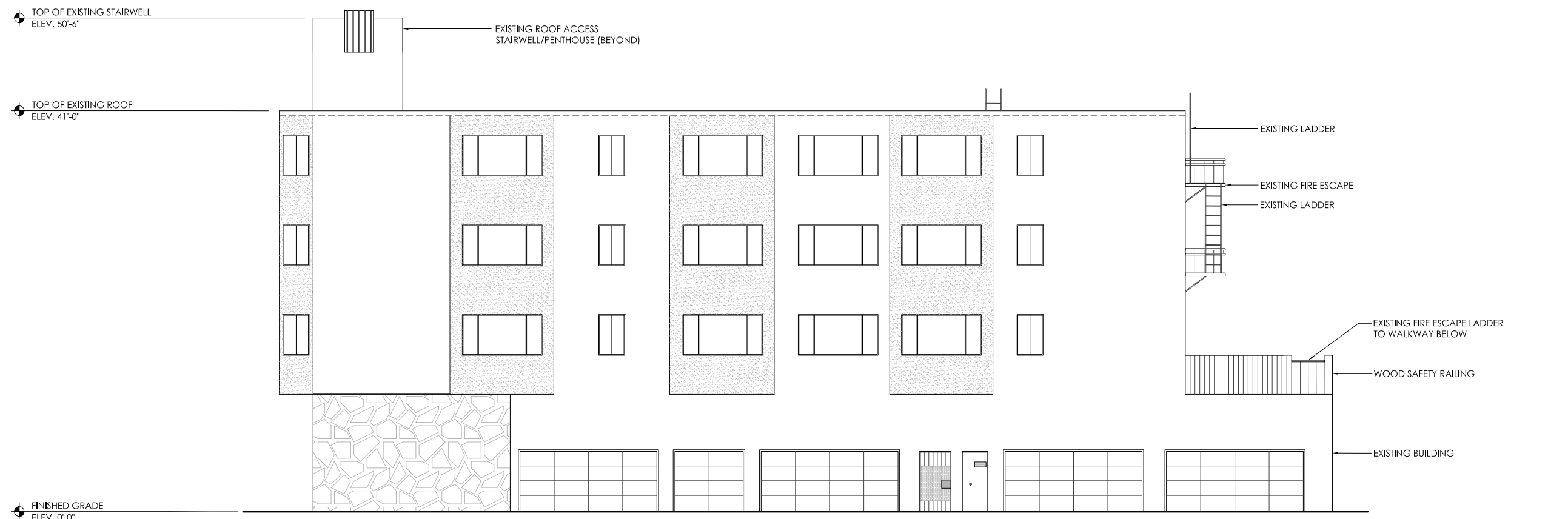
24"x36" SCALE: 1/2" = 1'-0"
11"x17" SCALE: 1/4" = 1'-0"



NOTES:
 1. PROPOSED AT&T EQUIPMENT AND ANTENNAS TO BE CONCEALED WITHIN FRP SCREENS.
 2. PROPOSED AT&T FRP SCREEN TO BE TEXTURED AND PAINTED TO MATCH EXISTING BUILDING (STAIRWELL PENTHOUSE).

2 PROPOSED SOUTH ELEVATION
 3/16"=1'-0"

24"x36" SCALE: 3/16" = 1'-0"
 11"x17" SCALE: 3/32" = 1'-0"



1 EXISTING SOUTH ELEVATION
 3/16"=1'-0"

24"x36" SCALE: 3/16" = 1'-0"
 11"x17" SCALE: 3/32" = 1'-0"

APPLICANT:

 1452 EDINGER AVE.
 TUSTIN, CALIFORNIA 92780

VENDOR:

 AZ - CA - CO - ID - NM - NV - TX - UT
 2030 MAIN STREET, SUITE 200
 IRVINE, CALIFORNIA 92614

VENDOR:

 ENGINEERING & SURVEYING
 23675 BIRCHER DRIVE
 LAKE FOREST, CA 92630

SITE INFORMATION:
CCL03293
 RSFR NSB CCL03293 -
 LOW APARTMENTS
 590 2ND AVE.
 SAN FRANCISCO, CA 94118
 FA #: 13254043
 PACE #: MRSFR044493
 PT #: 3701AODMAX
 USID #: 219795

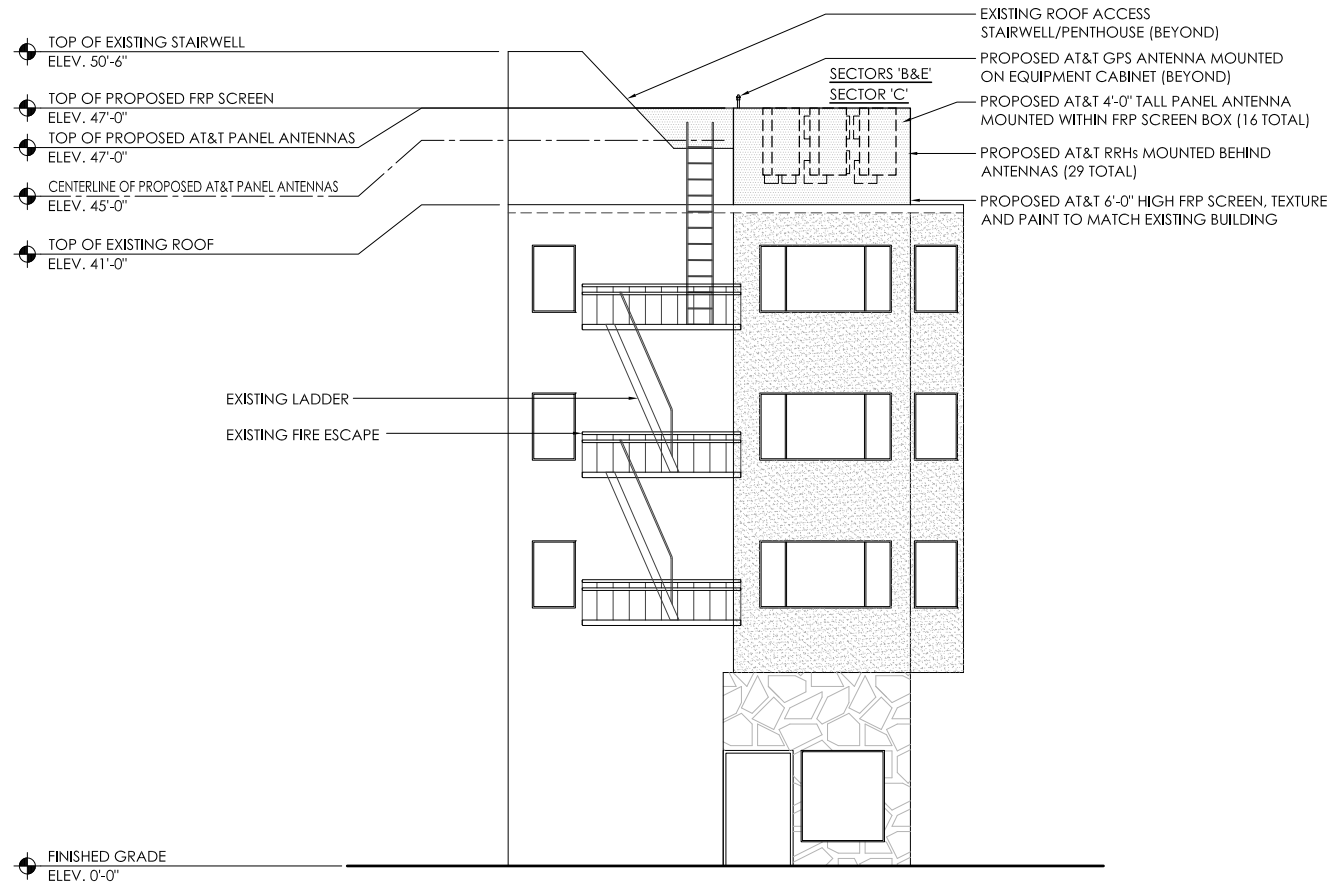
DESIGN RECORD:

REV	DATE	DESCRIPTION
3	02/06/20	REV PER PLANNING
2	02/01/19	NEW RFDS
1	01/16/19	ADDED ELEC. SHEET
0	12/19/18	100%ZDs
B	12/05/18	100%ZDs
A	09/20/18	90%ZDs

PROFESSIONAL STAMP:
NOT TO BE USED FOR CONSTRUCTION
 It is a violation of law for any persons, unless they are acting under the direction of a licensed professional engineer, to alter this document

SHEET NAME:
EXISTING & PROPOSED SOUTH ELEVATIONS

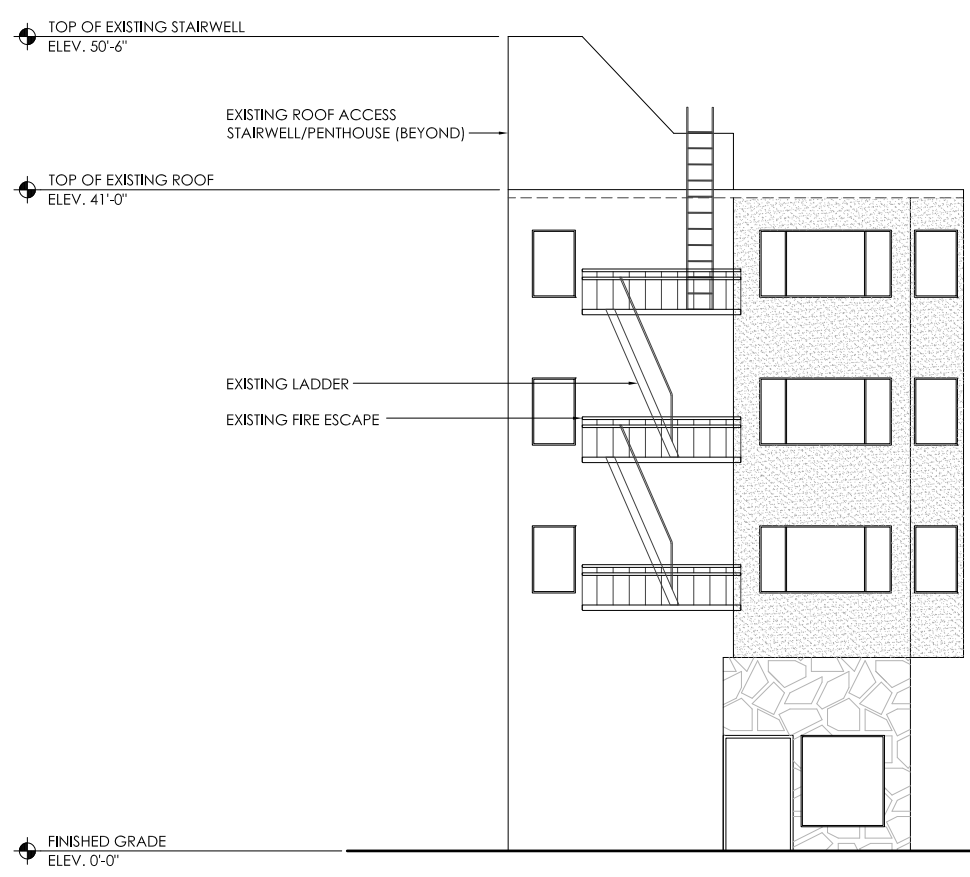
SHEET TITLE:
A-5



- NOTES:
1. PROPOSED AT&T EQUIPMENT AND ANTENNAS TO BE CONCEALED WITHIN FRP SCREENS.
 2. PROPOSED AT&T FRP SCREEN TO BE TEXTURED AND PAINTED TO MATCH EXISTING BUILDING (STAIRWELL PENTHOUSE).

2 PROPOSED WEST ELEVATION
3/16"=1'-0"

24"x36" SCALE: 3/16" = 1'-0"
11"x17" SCALE: 3/32" = 1'-0"



1 EXISTING WEST ELEVATION
3/16"=1'-0"

24"x36" SCALE: 3/16" = 1'-0"
11"x17" SCALE: 3/32" = 1'-0"

APPLICANT:

1452 EDINGER AVE.
TUSTIN, CALIFORNIA 92780

VENDOR:

AZ - CA - CO - ID - NM - NV - TX - UT
2030 MAIN STREET, SUITE 200
IRVINE, CALIFORNIA 92614

VENDOR:

23675 BIRCHER DRIVE
LAKE FOREST, CA 92630

SITE INFORMATION:

CCL03293
RSFR NSB CCL03293 -
LOW APARTMENTS
590 2ND AVE.
SAN FRANCISCO, CA 94118

FA #: 13254043
PACE #: MRSFR044493
PT #: 3701AODMAX
USID #: 219795

DESIGN RECORD:

REV	DATE	DESCRIPTION
3	02/06/20	REV PER PLANNING
2	02/01/19	NEW RFDS
1	01/16/19	ADDED ELEC. SHEET
0	12/19/18	100%ZDs
B	12/05/18	100%ZDs
A	09/20/18	90%ZDs

PROFESSIONAL STAMP:

NOT TO BE USED FOR CONSTRUCTION

It is a violation of law for any persons, unless they are acting under the direction of a licensed professional engineer, to alter this document

SHEET NAME:

EXISTING & PROPOSED WEST ELEVATIONS

SHEET TITLE:

A-6

12 NOT USED

9 NOT USED

6 RRU 4415 B30 SPECIFICATIONS
N.T.S.

3 RRU 4449 B5/B12
N.T.S.

11 NOT USED

8 DC-9 POWER CONNECTION (MAST-MOUNTING)
N.T.S.

5 RRU 4478 B14 SPECIFICATIONS
N.T.S.

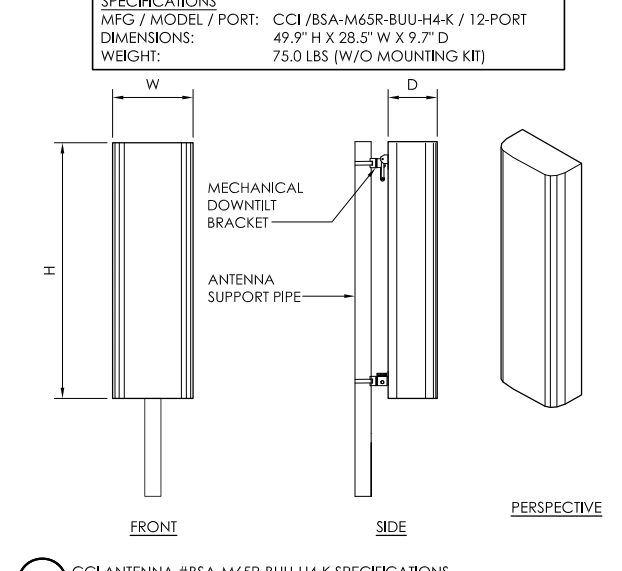
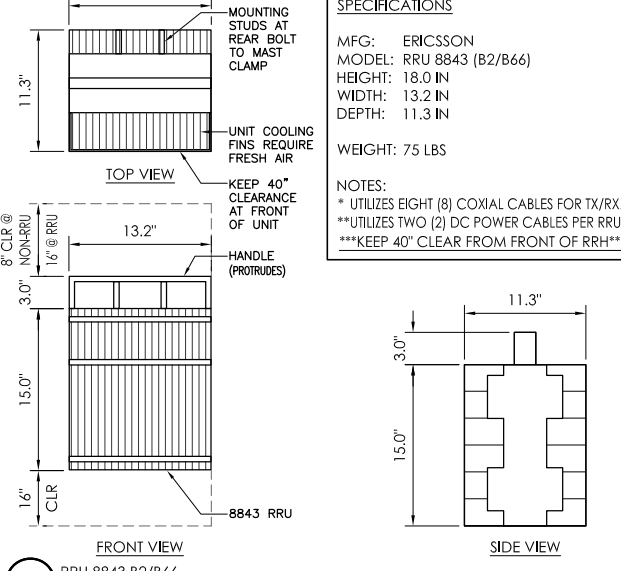
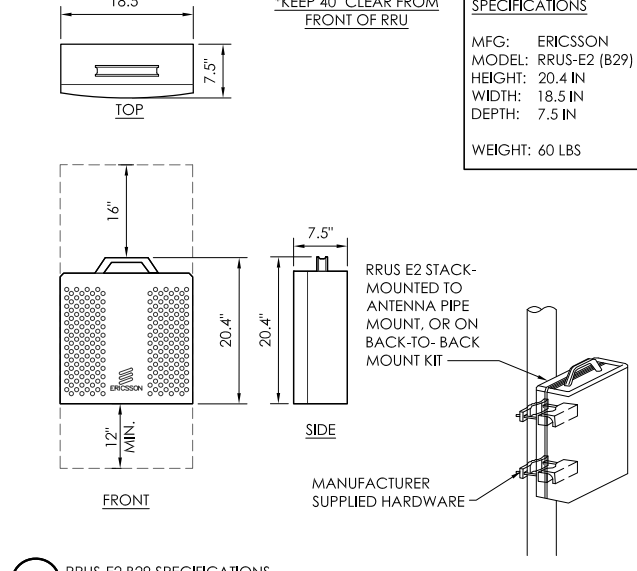
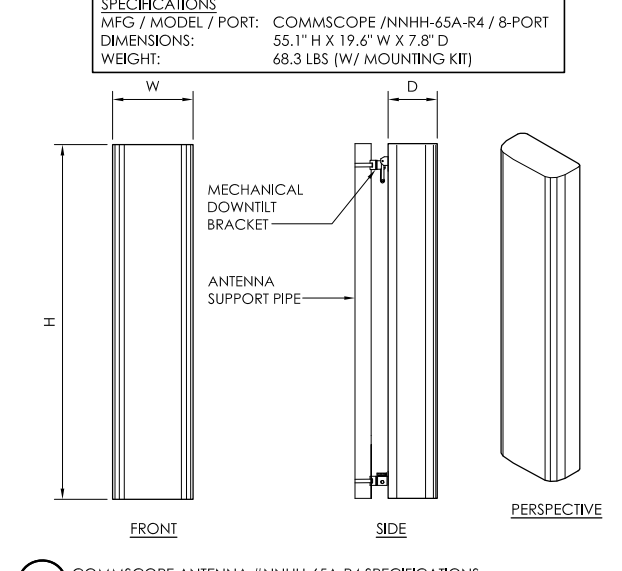
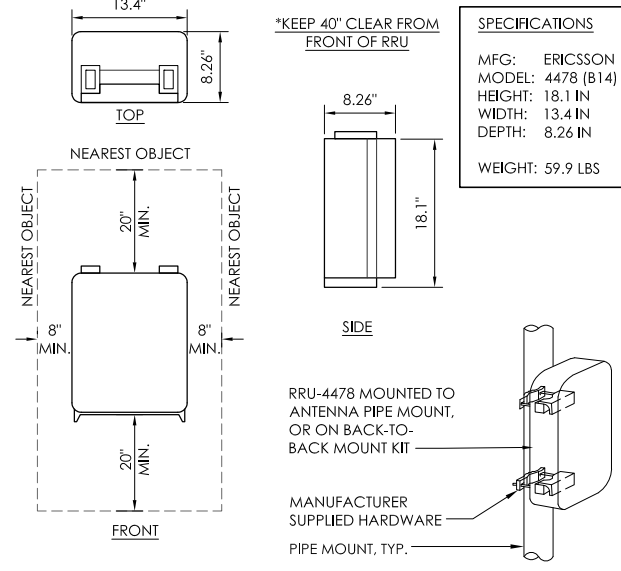
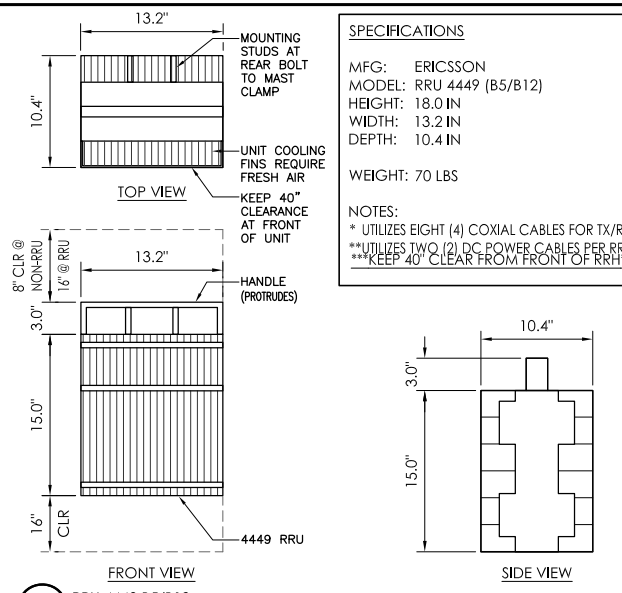
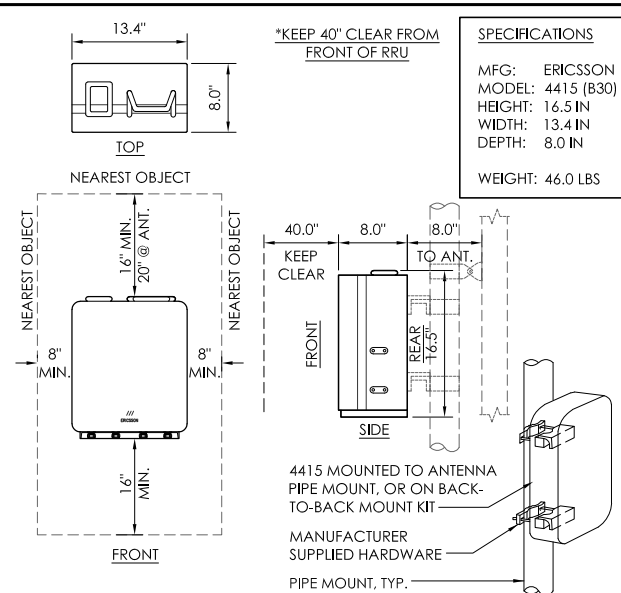
2 COMMSCOPE ANTENNA #NNHH-65A-R4 SPECIFICATIONS
N.T.S.

10 NOT USED

7 RRUS-E2 B29 SPECIFICATIONS
N.T.S.

4 RRU 8843 B2/B66
N.T.S.

1 CCI ANTENNA #BSA-M65R-BUU-H4-K SPECIFICATIONS
N.T.S.



APPLICANT:
at&t
1452 EDINGER AVE.
TUSTIN, CALIFORNIA 92780

VENDOR:
INFRASTRUCTURE
AZ - CA - CO - ID - NM - NV - TX - UT
2030 MAIN STREET, SUITE 200
IRVINE, CALIFORNIA 92614

VENDOR:
ALLSTATES
ENGINEERING & SURVEYING
23675 BIRCHER DRIVE
LAKE FOREST, CA 92630

SITE INFORMATION:
CCL03293
RSFR NSB CCL03293 -
LOW APARTMENTS
590 2ND AVE.
SAN FRANCISCO, CA 94118

FA #: 13254043
PACE #: MRSFR044493
PT #: 3701AODMAX
USID #: 219795

REV	DATE	DESCRIPTION
3	02/06/20	REV PER PLANNING
2	02/01/19	NEW RFDS
1	01/16/19	ADDED ELEC. SHEET
0	12/19/18	100%ZDs
B	12/05/18	100%ZDs
A	09/20/18	90%ZDs

DESIGN RECORD:

PROFESSIONAL STAMP:

SHEET NAME:
EQUIPMENT SPECIFICATIONS

SHEET TITLE:
D-1

NOT TO BE USED FOR CONSTRUCTION

It is a violation of law for any persons, unless they are acting under the direction of a licensed professional engineer, to alter this document

- NOTES:**
- ALL WORK TO CONFORM TO N.E.C. LATEST STATE ADOPTED EDITION.
 - LABEL SERVICE DISCONNECT WITH A RED TAG.
 - SWITCH LEG CONDUCTORS SHALL BE THE SAME COLOR AS CIRCUIT CONDUCTORS.
 - PULL ONE GROUND CONDUCTOR PER FLEXIBLE NONMETALLIC CONDUIT. FOR ALL OTHER CIRCUITS PULL A SEPARATE CONDUCTOR.
 - ALL GFCI RECEPTACLES TO HAVE A DEDICATED GROUND WIRE.
 - EQUIPMENT TERMINATION LUGS AND CONDUCTORS ARE RATED AT A MINIMUM OF 75°C.
 - CONDUIT REQUIREMENTS
 - UNDERGROUND PVC (SCH 40 OR 80)
 - INDOOR: EMT (RGS IN TRAFFIC AREAS)
 - Outdoor (ABOVE GRADE): RGS
 - LIGHTING IS DESIGNED AND INSTALLED BY SHELTER MANUFACTURER.

NOTE:
ALL BREAKERS AND PANELS SHOWN ARE EXISTING UNLESS NOTED AS (N) NEW.
SEE SPECIFICATION FOR CONDUIT TYPE.

LEGEND:
MI = MECHANICAL INTERLOCK
RU = RELAY TO MONITOR UTILITY POWER
RG = RELAY TO MONITOR GENERATOR POWER

ABBREVIATIONS:

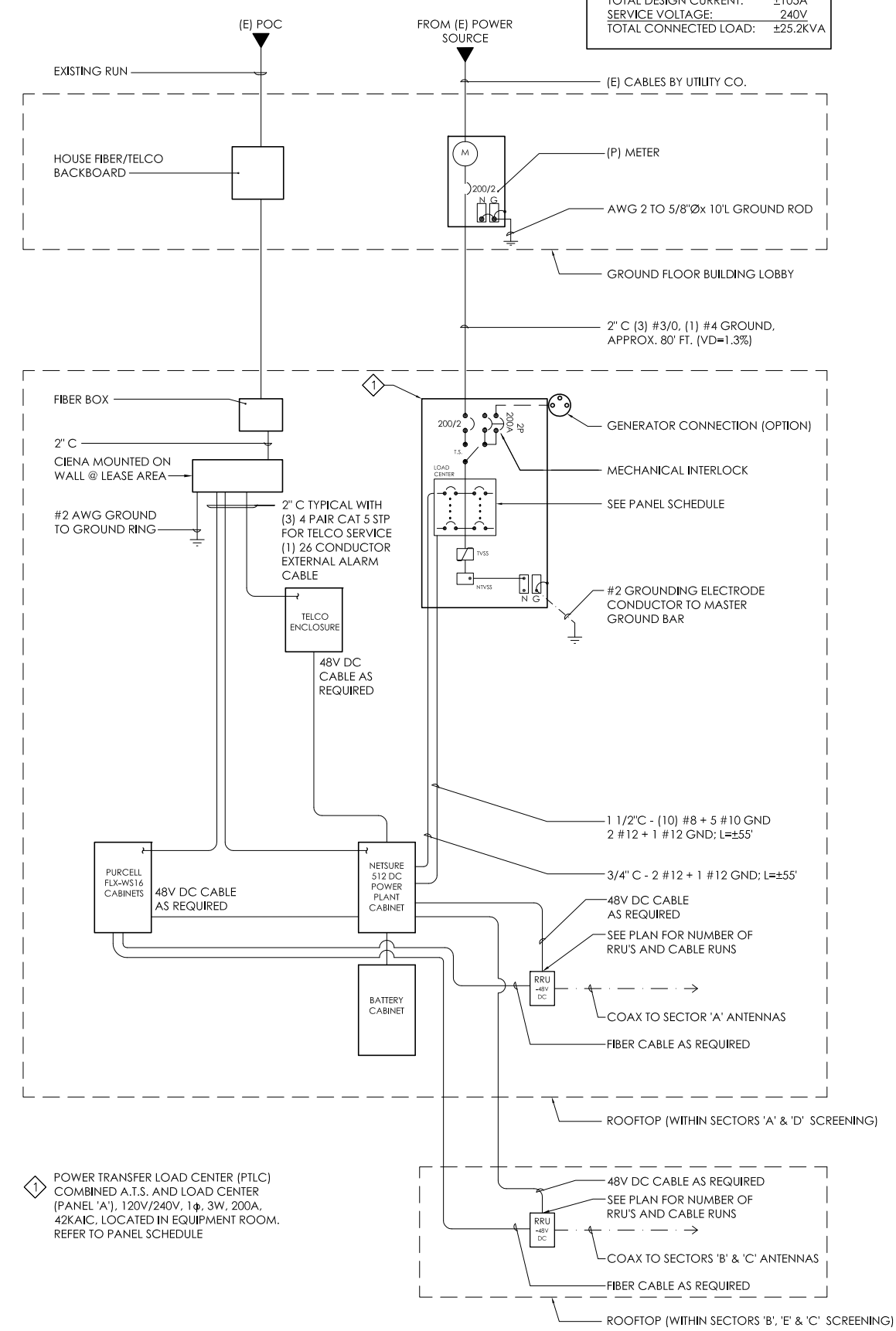
BCW	BARE COPPER WIRE
BTS	BASE TRANSCIVER STATION
C	CONDUIT
(E)	EXISTING
EG	EQUIPMENT GROUND
(F)	FUTURE
FACP	FIRE ALARM CONTROL PANEL
GEN	GENERATOR
IG	ISOLATED GROUND
IMC	INTERMEDIATE METAL CONDUIT
LFMC	LIQUID TIGHT FLEXIBLE METAL CONDUIT
MCM	MILLION CIRCULAR MILLS
MI	MECHANICAL INTERLOCK
MP&S	SEE MECHANICAL PLANS & SPECIFICATIONS
(N)	NEW
NEMA	NATIONAL ELECTRICAL MANUFACTURER'S ASSOCIATION
NL	NIGHT LIGHT - FIXTURE TO BE UNSWITCHED
PFB	PROVISION FOR FUTURE BREAKER
PVC	POLYVINYL CHLORIDE CONDUIT
(R)	RELOCATE
RG	RELAY TO MONITOR GENERATOR POWER
RU	RELAY TO MONITOR UTILITY POWER
TYP	TYPICAL
UON	UNLESS OTHERWISE NOTED
WP	WEATHERPROOF
GFCI	GROUND FAULT CIRCUIT INTERRUPTER

NOTE: SYMBOLS INDICATED ABOVE MAY NOT NECESSARILY APPEAR AS PART OF THESE DRAWINGS IF NOT REQUIRED.

PANEL 'A'		VOLTAGE: 120/240 V										PHASE: 1									
PANEL DESIGNATION: PANEL 'A'		WIRE: 3										MAIN BREAKER: 200 AMP									
		BUSS RATING: 225 AMP										LOCATION: SURFACE-EXTERIOR									
CKT	LOAD DESCRIPTION	BREAKER AMPS	BREAKER POLES	BREAKER STATUS	SERVICE LOAD VA	USAGE FACTOR	PHASE A VA	PHASE B VA	PHASE A VA	PHASE B VA	USAGE FACTOR	SERVICE LOAD VA	BREAKER STATUS	BREAKER POLES	BREAKER AMPS	LOAD DESCRIPTION	CKT				
1	EMERSON POWER CABINET	100	2	ON	9600	1.25	12000	0	0	0	1.25	600	ON	2	30	SURGE SUPPRESSOR	2				
3	SPACE				9600	1.25	12000	0	0	0	1.25	600	ON	1	20	RECEPTACLE	4				
5	SPACE						0	750	0	0	1.25	360	ON	1	20	LIGHTING	6				
7	SPACE						0	0	450	0	1.25	360	ON	1	20	LIGHTING	8				
9	SPACE						0	0	0	0						SPACE	10				
11	SPACE						0	0	0	0						SPACE	12				
13	SPACE						0	0	0	0						SPACE	14				
15	SPACE						0	0	0	0						SPACE	16				
17	SPACE						0	0	0	0						SPACE	18				
19	SPACE						0	0	0	0						SPACE	20				
21	SPACE						0	0	0	0						SPACE	22				
23	SPACE						0	0	0	0						SPACE	24				
25	SPACE						0	0	0	0						SPACE	26				
27	SPACE						0	0	0	0						SPACE	28				
29	SPACE						0	0	0	0						SPACE	30				
							PHASE A TOTAL VA	12750									NOTES:				
							PHASE B TOTAL VA	12450									1. BREAKER POSITIONS 5, 7, & 9-30 ARE ALL 'SPACE'				
							TOTAL KVA	25.20									2. ALL LOADS ARE COUNTED AS LCL/MCL (DESIGN TO 100% CAPACITY-OK)				
							TOTAL AMPS	105.00									3. UNUSED BREAKERS SHALL BE MARKED 'SPARE' & SWITCHED 'OFF'				

KVA LOAD CALC:

TOTAL DESIGN CURRENT: ±105A
SERVICE VOLTAGE: 240V
TOTAL CONNECTED LOAD: ±25.2KVA



CCL03293
RSFR NSB CCL03293 - LOW APARTMENTS

590 2ND AVE.
SAN FRANCISCO, CA 94118

FA #: 13254043
PACE #: MRSFR044493
PT #: 3701AODMAX
USID #: 219795

REV	DATE	DESCRIPTION
3	02/06/20	REV PER PLANNING
2	02/01/19	NEW RFDS
1	01/16/19	ADDED ELEC. SHEET
0	12/19/18	100%ZDs
B	12/05/18	100%ZDs
A	09/20/18	90%ZDs

NOT TO BE USED FOR CONSTRUCTION

It is a violation of law for any persons, unless they are acting under the direction of a licensed professional engineer, to alter this document

SINGLE-LINE DIAGRAM & PANEL SCHEDULE

E-1



EXISTING



PROPOSED



PHOTOSIMULATION INSTALL (12) PANEL ANTENNAS WITHIN PROPOSED FRP SCREENING ON EXISTING ROOFTOP

REV 3 - 4/10/20

CCL03293

590 2ND AVE. SAN FRANCISCO CA 94118

VIEW 1





EXISTING



PROPOSED



PHOTOSIMULATION INSTALL (12) PANEL ANTENNAS WITHIN PROPOSED FRP SCREENING ON EXISTING ROOFTOP

REV 3 - 4/10/20

CCL03293

590 2ND AVE. SAN FRANCISCO CA 94118

VIEW 2





EXISTING



SECTOR A CANNOT BE SEEN FACING SE FROM 2ND AVENUE

PROPOSED SCREENING

PROPOSED



PHOTOSIMULATION INSTALL (12) PANEL ANTENNAS WITHIN PROPOSED FRP SCREENING ON EXISTING ROOFTOP

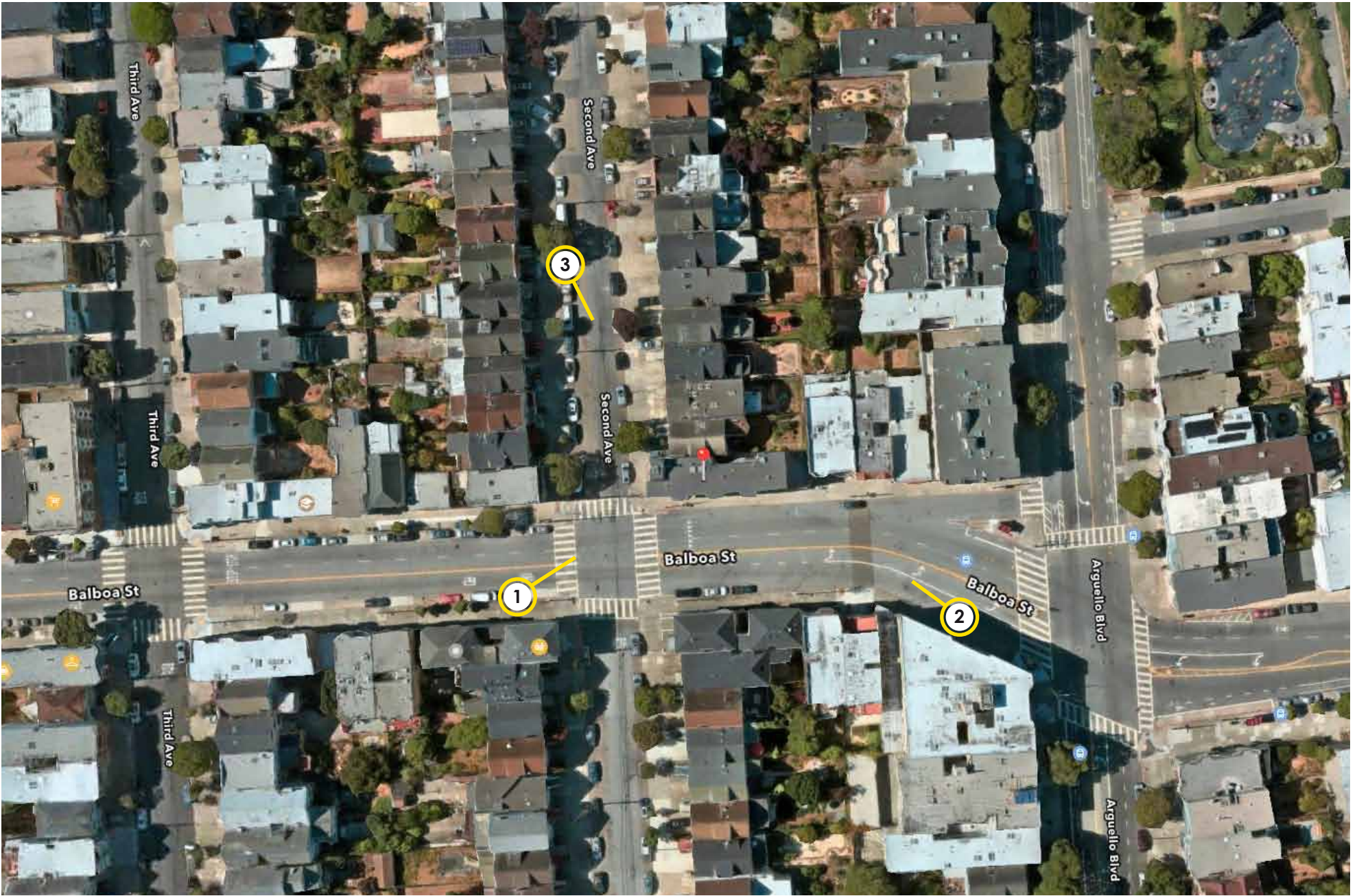
REV 3 - 4/10/20

CCL03293

590 2ND AVE. SAN FRANCISCO CA 94118

VIEW 3







SAN FRANCISCO PLANNING DEPARTMENT

CEQA Categorical Exemption Determination

PROPERTY INFORMATION/PROJECT DESCRIPTION

Project Address		Block/Lot(s)
590 02ND AVE		1544026
Case No.		Permit No.
2019-015984PRJ		
<input checked="" type="checkbox"/> Addition/ Alteration	<input type="checkbox"/> Demolition (requires HRE for Category B Building)	<input type="checkbox"/> New Construction
<p>Project description for Planning Department approval.</p> <p>– Request for a Conditional Use Authorization, pursuant to Planning Code Sections 303 and 209.2, to install a new AT&T Mobility Macro Wireless Telecommunications Services Facility at rooftop consisting of installation of ten (10) panel antennas, and ancillary equipment as part of the AT&T Mobility Telecommunications Network. Antennas and ancillary equipment will be screened within two (2) FRP enclosures. The subject property is located within the RM-2 (Residential-Mixed, Moderate Density), and the 40-X Height and Bulk Districts.</p>		

STEP 1: EXEMPTION CLASS

The project has been determined to be categorically exempt under the California Environmental Quality Act (CEQA).	
<input checked="" type="checkbox"/>	Class 1 - Existing Facilities. Interior and exterior alterations; additions under 10,000 sq. ft.
<input type="checkbox"/>	Class 3 - New Construction. Up to three new single-family residences or six dwelling units in one building; commercial/office structures; utility extensions; change of use under 10,000 sq. ft. if principally permitted or with a CU.
<input type="checkbox"/>	<p>Class 32 - In-Fill Development. New Construction of seven or more units or additions greater than 10,000 sq. ft. and meets the conditions described below:</p> <p>(a) The project is consistent with the applicable general plan designation and all applicable general plan policies as well as with applicable zoning designation and regulations.</p> <p>(b) The proposed development occurs within city limits on a project site of no more than 5 acres substantially surrounded by urban uses.</p> <p>(c) The project site has no value as habitat for endangered rare or threatened species.</p> <p>(d) Approval of the project would not result in any significant effects relating to traffic, noise, air quality, or water quality.</p> <p>(e) The site can be adequately served by all required utilities and public services.</p> <p>FOR ENVIRONMENTAL PLANNING USE ONLY</p>
<input type="checkbox"/>	Class ____

STEP 2: CEQA IMPACTS

TO BE COMPLETED BY PROJECT PLANNER

<input type="checkbox"/>	<p>Air Quality: Would the project add new sensitive receptors (specifically, schools, day care facilities, hospitals, residential dwellings, and senior-care facilities within an Air Pollution Exposure Zone? Does the project have the potential to emit substantial pollutant concentrations (e.g., backup diesel generators, heavy industry, diesel trucks, etc.)? (refer to EP_ArcMap > CEQA Catex Determination Layers > Air Pollution Exposure Zone)</p>
<input type="checkbox"/>	<p>Hazardous Materials: If the project site is located on the Maher map or is suspected of containing hazardous materials (based on a previous use such as gas station, auto repair, dry cleaners, or heavy manufacturing, or a site with underground storage tanks): Would the project involve 50 cubic yards or more of soil disturbance - or a change of use from industrial to residential?</p> <p>Note that a categorical exemption shall not be issued for a project located on the Cortese List if the applicant presents documentation of enrollment in the San Francisco Department of Public Health (DPH) Maher program, a DPH waiver from the Maher program, or other documentation from Environmental Planning staff that hazardous material effects would be less than significant (refer to EP_ArcMap > Maher layer).</p>
<input type="checkbox"/>	<p>Transportation: Does the project involve a child care facility or school with 30 or more students, or a location 1,500 sq. ft. or greater? Does the project have the potential to adversely affect transit, pedestrian and/or bicycle safety (hazards) or the adequacy of nearby transit, pedestrian and/or bicycle facilities?</p>
<input type="checkbox"/>	<p>Archeological Resources: Would the project result in soil disturbance/modification greater than two (2) feet below grade in an archeological sensitive area or eight (8) feet in a non -archeological sensitive area? If yes, archeo review is required (refer to EP_ArcMap > CEQA Catex Determination Layers > Archeological Sensitive Area)</p>
<input type="checkbox"/>	<p>Subdivision/Lot Line Adjustment: Does the project site involve a subdivision or lot line adjustment on a lot with a slope average of 20% or more? (refer to EP_ArcMap > CEQA Catex Determination Layers > Topography). If yes, Environmental Planning must issue the exemption.</p>
<input type="checkbox"/>	<p>Slope = or > 25%: Does the project involve any of the following: (1) square footage expansion greater than 500 sq. ft. outside of the existing building footprint, (2) excavation of 50 cubic yards or more of soil, (3) new construction? (refer to EP_ArcMap > CEQA Catex Determination Layers > Topography) If box is checked, a geotechnical report is required and Environmental Planning must issue the exemption.</p>
<input type="checkbox"/>	<p>Seismic: Landslide Zone: Does the project involve any of the following: (1) square footage expansion greater than 500 sq. ft. outside of the existing building footprint, (2) excavation of 50 cubic yards or more of soil, (3) new construction? (refer to EP_ArcMap > CEQA Catex Determination Layers > Seismic Hazard Zones) If box is checked, a geotechnical report is required and Environmental Planning must issue the exemption.</p>
<input type="checkbox"/>	<p>Seismic: Liquefaction Zone: Does the project involve any of the following: (1) square footage expansion greater than 500 sq. ft. outside of the existing building footprint, (2) excavation of 50 cubic yards or more of soil, (3) new construction? (refer to EP_ArcMap > CEQA Catex Determination Layers > Seismic Hazard Zones) If box is checked, a geotechnical report will likely be required and Environmental Planning must issue the exemption.</p>
<p>Comments and Planner Signature (optional): Ashley Lindsay</p>	

**STEP 3: PROPERTY STATUS - HISTORIC RESOURCE
TO BE COMPLETED BY PROJECT PLANNER**

PROPERTY IS ONE OF THE FOLLOWING: (refer to Property Information Map)	
<input type="checkbox"/>	Category A: Known Historical Resource. GO TO STEP 5.
<input checked="" type="checkbox"/>	Category B: Potential Historical Resource (over 45 years of age). GO TO STEP 4.
<input type="checkbox"/>	Category C: Not a Historical Resource or Not Age Eligible (under 45 years of age). GO TO STEP 6.

**STEP 4: PROPOSED WORK CHECKLIST
TO BE COMPLETED BY PROJECT PLANNER**

Check all that apply to the project.	
<input type="checkbox"/>	1. Change of use and new construction. Tenant improvements not included.
<input type="checkbox"/>	2. Regular maintenance or repair to correct or repair deterioration, decay, or damage to building.
<input type="checkbox"/>	3. Window replacement that meets the Department's <i>Window Replacement Standards</i> . Does not include storefront window alterations.
<input type="checkbox"/>	4. Garage work. A new opening that meets the <i>Guidelines for Adding Garages and Curb Cuts</i> , and/or replacement of a garage door in an existing opening that meets the Residential Design Guidelines.
<input type="checkbox"/>	5. Deck, terrace construction, or fences not visible from any immediately adjacent public right-of-way.
<input type="checkbox"/>	6. Mechanical equipment installation that is not visible from any immediately adjacent public right-of-way.
<input type="checkbox"/>	7. Dormer installation that meets the requirements for exemption from public notification under <i>Zoning Administrator Bulletin No. 3: Dormer Windows</i> .
<input type="checkbox"/>	8. Addition(s) that are not visible from any immediately adjacent public right-of-way for 150 feet in each direction; does not extend vertically beyond the floor level of the top story of the structure or is only a single story in height; does not have a footprint that is more than 50% larger than that of the original building; and does not cause the removal of architectural significant roofing features.
Note: Project Planner must check box below before proceeding.	
<input checked="" type="checkbox"/>	Project is not listed. GO TO STEP 5.
<input type="checkbox"/>	Project does not conform to the scopes of work. GO TO STEP 5.
<input type="checkbox"/>	Project involves four or more work descriptions. GO TO STEP 5.
<input type="checkbox"/>	Project involves less than four work descriptions. GO TO STEP 6.

**STEP 5: CEQA IMPACTS - ADVANCED HISTORICAL REVIEW
TO BE COMPLETED BY PROJECT PLANNER**

Check all that apply to the project.	
<input type="checkbox"/>	1. Project involves a known historical resource (CEQA Category A) as determined by Step 3 and conforms entirely to proposed work checklist in Step 4.
<input type="checkbox"/>	2. Interior alterations to publicly accessible spaces.
<input type="checkbox"/>	3. Window replacement of original/historic windows that are not "in-kind" but are consistent with existing historic character.
<input type="checkbox"/>	4. Façade/storefront alterations that do not remove, alter, or obscure character-defining features.
<input type="checkbox"/>	5. Raising the building in a manner that does not remove, alter, or obscure character-defining features.
<input type="checkbox"/>	6. Restoration based upon documented evidence of a building's historic condition, such as historic photographs, plans, physical evidence, or similar buildings.

<input checked="" type="checkbox"/>	7. Addition(s) , including mechanical equipment that are minimally visible from a public right-of-way and meet the <i>Secretary of the Interior's Standards for Rehabilitation</i> .
<input type="checkbox"/>	8. Other work consistent with the <i>Secretary of the Interior Standards for the Treatment of Historic Properties</i> (specify or add comments):
<input type="checkbox"/>	9. Other work that would not materially impair a historic district (specify or add comments): (Requires approval by Senior Preservation Planner/Preservation Coordinator)
<input type="checkbox"/>	10. Reclassification of property status. (Requires approval by Senior Preservation Planner/Preservation <input type="checkbox"/> Reclassify to Category A a. Per HRER or PTR dated <input type="checkbox"/> Reclassify to Category C (attach HRER or PTR) b. Other (specify):
Note: If ANY box in STEP 5 above is checked, a Preservation Planner MUST sign below.	
<input checked="" type="checkbox"/>	Project can proceed with categorical exemption review. The project has been reviewed by the Preservation Planner and can proceed with categorical exemption review. GO TO STEP 6.
Comments (optional): Mechanical equipment on roof	
Preservation Planner Signature: Natalia Kwiatkowska	

**STEP 6: CATEGORICAL EXEMPTION DETERMINATION
TO BE COMPLETED BY PROJECT PLANNER**

<input checked="" type="checkbox"/>	No further environmental review is required. The project is categorically exempt under CEQA. There are no unusual circumstances that would result in a reasonable possibility of a significant effect.	
	Project Approval Action: Planning Commission Hearing	Signature: Ashley Lindsay
		05/20/2020
<p>Once signed or stamped and dated, this document constitutes a categorical exemption pursuant to CEQA Guidelines and Chapter 31 of the Administrative Code. In accordance with Chapter 31 of the San Francisco Administrative Code, an appeal of an exemption determination can only be filed within 30 days of the project receiving the approval action. Please note that other approval actions may be required for the project. Please contact the assigned planner for these approvals.</p>		



SAN FRANCISCO PLANNING DEPARTMENT

Land Use Information*

PROJECT ADDRESS: 590 02ND AVE
RECORD NO.: 2019-015984CUA

1650 Mission St.
Suite 400
San Francisco,
CA 94103-2479

Reception:
415.558.6378

Fax:
415.558.6409

Planning
Information:
415.558.6377

	EXISTING	PROPOSED	NET NEW
GROSS SQUARE FOOTAGE (GSF)			
Parking GSF			
Residential GSF	6750	0	6750
Retail/Commercial GSF			
Office GSF			
Industrial/PDR GSF <small>Production, Distribution, & Repair</small>			
Medical GSF			
Visitor GSF			
CIE GSF			
Usable Open Space			
Public Open Space			
Other ()			
TOTAL GSF	6750	0	6750
	EXISTING	NET NEW	TOTALS
PROJECT FEATURES (Units or Amounts)			
Dwelling Units - Affordable			
Dwelling Units - Market Rate			
Dwelling Units - Total			
Hotel Rooms			
Number of Buildings			
Number of Stories			
Parking Spaces			
Loading Spaces			
Bicycle Spaces			
Car Share Spaces			
Other ()			

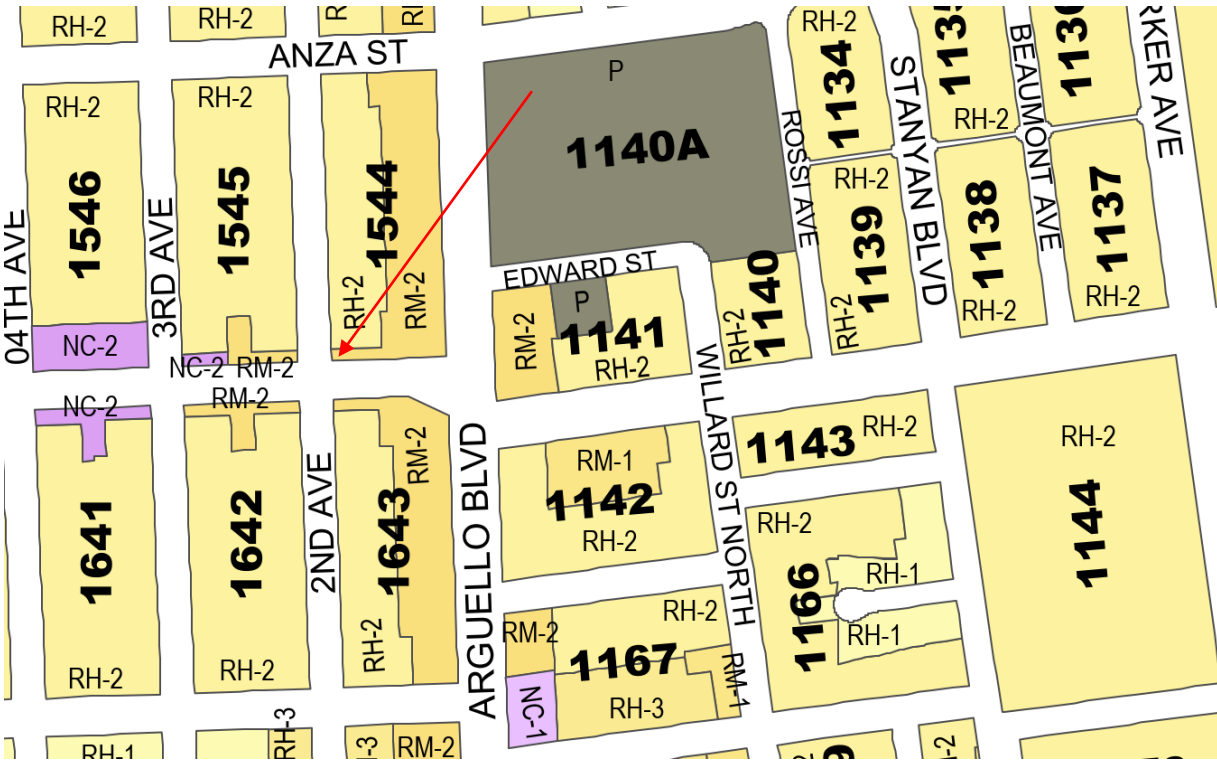
	EXISTING	PROPOSED	NET NEW
LAND USE - RESIDENTIAL			
Studio Units			
One Bedroom Units			
Two Bedroom Units			
Three Bedroom (or +) Units			
Group Housing - Rooms			
Group Housing - Beds			
SRO Units			
Micro Units			
Accessory Dwelling Units			

*This Land Use Table includes only information related to the installation of a wireless telecommunications facility use. This table does not include information about the entire building.

Site Maps

The following are the relevant Zoning Use District Map & Height and Bulk Map:

Zoning Use District Map: RM-2 - RESIDENTIAL- MIXED, MODERATE DENSITY



Height and Bulk Map: 40-X



H. Contextual Photographs

See attached photographs of the surrounding buildings within 100 feet of the subject property showing the facades and heights of nearby buildings.



590 2nd Avenue, San Francisco, CA, 94118

H. Contextual Photographs

See attached photographs of the surrounding buildings within 100 feet of the subject property showing the facades and heights of nearby buildings.



H. Contextual Photographs

See attached photographs of the surrounding buildings within 100 feet of the subject property showing the facades and heights of nearby buildings.



H. Contextual Photographs

See attached photographs of the surrounding buildings within 100 feet of the subject property showing the facades and heights of nearby buildings.



**AT&T Mobility • Proposed Base Station (Site No. CCL03293)
590 Second Avenue • San Francisco, California
FA No. 13254043, USID No. 219795, PA No. 3701A0DMAX**

Statement of Hammett & Edison, Inc., Consulting Engineers

The firm of Hammett & Edison, Inc., Consulting Engineers, has been retained on behalf of AT&T Mobility, a personal wireless telecommunications carrier, to evaluate the base station (Site No. CCL03293) proposed to be located at 590 Second Avenue in San Francisco, California, for compliance with appropriate guidelines limiting human exposure to radio frequency (“RF”) electromagnetic fields.

Background

The San Francisco Department of Public Health has adopted an 11-point checklist for determining compliance of proposed WTS facilities or proposed modifications to such facilities with prevailing safety standards. The acceptable limits set by the FCC for exposures of unlimited duration are:

Wireless Service Band	Transmit Frequency	“Uncontrolled” Public Limit	Occupational Limit (5 times Public)
Microwave (point-to-point)	1–80 GHz	1.0 mW/cm ²	5.0 mW/cm ²
Millimeter-wave	24–47	1.0	5.0
Part 15 (WiFi & other unlicensed)	2–6	1.0	5.0
BRS (Broadband Radio)	2,490 MHz	1.0	5.0
WCS (Wireless Communication)	2,305	1.0	5.0
AWS (Advanced Wireless)	2,110	1.0	5.0
PCS (Personal Communication)	1,930	1.0	5.0
Cellular	869	0.58	2.9
SMR (Specialized Mobile Radio)	854	0.57	2.85
700 MHz	716	0.48	2.4
[most restrictive frequency range]	30–300	0.20	1.0

Checklist

Reference has been made to information provided by AT&T, including zoning drawings by All States Engineering and Surveying, dated February 1, 2019. It should be noted that the calculation results in this Statement include several “worst-case” assumptions and therefore are expected to overstate actual power density levels from the proposed operations.

1. The location, identity, and total number of all operational radiating antennas installed at this site.

There are reported no wireless base stations installed at the site.

2. List all radiating antennas located within 100 feet of the site that could contribute to the cumulative radio frequency energy at this location.

There are reported no other WTS facilities within 100 feet of the site.

3. Provide a narrative description of the proposed work for this project.

AT&T proposes to install ten antennas. This is consistent with the scope of work described in the drawings for transmitting elements.



AT&T Mobility • Proposed Base Station (Site No. CCL03293)
590 Second Avenue • San Francisco, California
FA No. 13254043, USID No. 219795, PA No. 3701A0DMAX

4. Provide an inventory of the make and model of antennas or transmitting equipment being installed or removed.

AT&T proposes to install three CommScope Model NNHH-65A and seven CCI Model BSA-M65R-BUU-H4 directional panel antennas. The CCI antennas would be mounted at an effective height of about 45 feet above ground, 4 feet above the roof, would be oriented in groups of four and three toward 0°T and 230°T, and would employ up to 4° and 14° downtilt, respectively. The three CommScope antennas would be mounted at an effective height of about 45 feet above ground, 4 feet above the roof, would be oriented toward 120°T, and would employ up to 16° downtilt.

5. Describe the existing radio frequency energy environment at the nearest walking/working surface to the antennas and at ground level. This description may be based on field measurements or calculations.

Because there are no antennas at the site presently, existing RF levels for a person on the roof near the proposed antenna locations and at ground near the site are presumed to be well below the applicable public exposure limit.

6. Provide the maximum effective radiated power per sector for the proposed installation. The power should be reported in watts and reported both as a total and broken down by frequency band.

The maximum effective radiated power proposed by AT&T in any direction would be 18,870 watts, representing simultaneous operation at 3,210 watts for WCS, 5,280 watts for AWS, 4,620 watts for PCS, 1,800 watts for cellular, and 3,960 watts for 700 MHz service.

7. Describe the maximum cumulative predicted radio frequency energy level for any nearby publicly accessible building or area.

The maximum calculated level at any nearby building is 98% of the public exposure limit; this occurs at the roof of the three-story residences located adjacent to the north.

8. Report the estimated cumulative radio frequency fields for the proposed site at ground level.

For a person anywhere at ground, the maximum RF exposure level due to the proposed AT&T operation is calculated to be 0.18 mW/cm², which is 23% of the applicable public exposure limit. Cumulative RF levels at ground level near the site are therefore estimated to be well below the applicable public limit.

9. Provide the maximum distance (in feet) the three dimensional perimeter of the radio frequency energy level equal to the public and occupational exposure limit is calculated to extend from the face of the antennas.

The three-dimensional perimeters of RF levels equal to the public and occupational exposure limits are calculated to extend up to 90 and 39 feet out from the antenna faces, respectively, and to much lesser distances above, below, and to the sides; this does not reach any publicly accessible areas.



**AT&T Mobility • Proposed Base Station (Site No. CCL03293)
590 Second Avenue • San Francisco, California
FA No. 13254043, USID No. 219795, PA No. 3701A0DMAX**

10. Provide a description of whether or not the public has access to the antennas. Describe any existing or proposed warning signs, barricades, barriers, rooftop striping or other safety precautions for people nearing the equipment as may be required by any applicable FCC-adopted standards.

It is recommended that barricades be erected, as shown in Figure 1, to preclude inadvertent access by unauthorized persons to areas in front of the antennas. It is recommended that measurements be conducted at the adjacent building to the north when the base station is in operation to assess actual exposure levels there, and to develop at that time any appropriate compliance measures.

To prevent occupational exposures in excess of the FCC guidelines, it is recommended that appropriate RF safety training, to include review of personal monitor use and lockout/tagout procedures, be provided to all authorized personnel who have access to the structure, including employees and contractors of AT&T and of the property owner. No access within 39 feet directly in front of the AT&T antennas themselves, such as might occur during certain maintenance activities, should be allowed while the base station is in operation, unless other measures can be demonstrated to ensure that occupational protection requirements are met. It is recommended that “Worker Notification Areas” be marked with yellow paint stripes and that “Prohibited Access Areas” be marked with red paint stripes on the roof of the building, as shown in Figure 1, to identify areas within which exposure levels are calculated to exceed the FCC public and occupational limits, respectively. It is recommended that explanatory signs* be posted at the barricades, at edges of the striped areas, on the screens in front of the antennas, and at the antennas, readily visible from any angle of approach to persons who might need to work within that distance.

11. Statement of authorship and qualification.

The undersigned author of this statement is a qualified Professional Engineer, holding California Registration Nos. E-13026 and M-20676, which expire on June 30, 2019. This work has been carried out under his direction, and all statements are true and correct of his own knowledge except, where noted, when data has been supplied by others, which data he believes to be correct.

* Signs should comply with OET-65 color, symbol, and content recommendations. Contact information should be provided (e.g., a telephone number) to arrange for access to restricted areas. The selection of language(s) is not an engineering matter; the San Francisco Department of Public Health recommends that all signs be written in English, Spanish, and Chinese.



**AT&T Mobility • Proposed Base Station (Site No. CCL03293)
590 Second Avenue • San Francisco, California
FA No. 13254043, USID No. 219795, PA No. 3701A0DMAX**

Conclusion

Based on the information and analysis above, it is the undersigned's professional opinion that operation of the base station proposed by AT&T Mobility at 590 Second Avenue in San Francisco, California, can comply with the prevailing standards for limiting human exposure to radio frequency energy and, therefore, need not for this reason cause a significant impact on the environment. The highest calculated level in publicly accessible areas is much less than the prevailing standards allow for exposures of unlimited duration. This finding is consistent with measurements of actual exposure conditions taken at other operating base stations. Erecting barricades and taking measurements are recommended to establish compliance with public exposure limits; training authorized personnel, marking roof areas, and posting explanatory signs are recommended to establish compliance with occupational exposure limits.



William F. Hammett

William F. Hammett, P.E.
707/996-5200

April 19, 2019

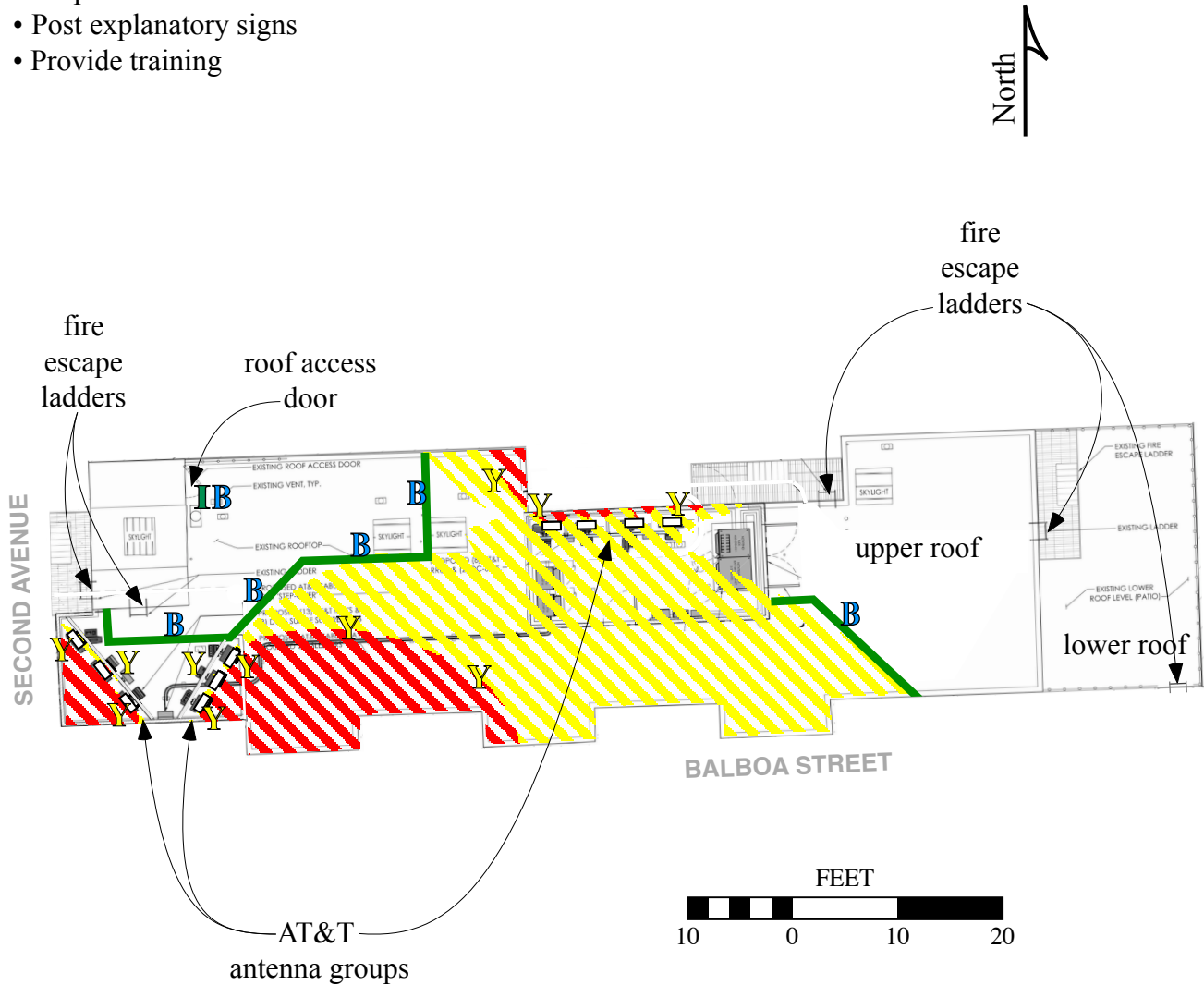


**AT&T Mobility • Proposed Base Station (Site No. CCL03293)
590 Second Avenue • San Francisco, California
FA No. 13254043, USID No. 219795, PA No. 3701A0DMAX**

Calculated RF Exposure Levels on Roof

Recommended Mitigation Measures

- Install secure barricades
- Stripe roof areas as shown
- Post explanatory signs
- Provide training



Notes: See text.

Base drawing by All States Engineering and Surveying, dated February 1, 2019.
Calculations performed according to OET Bulletin 65, August 1997.

Legend:	Less Than Public	Exceeds Public	Exceeds Occupational	Exceeds 10x Occupational
Striping color	blank	yellow	red	N/A
Sign type	I - Green INFORMATION	B - Blue NOTICE	Y - Yellow CAUTION	O - Orange WARNING
Barricades shown as green lines	—————			





Review of Cellular Antenna Site Proposals

Project Sponsor : AT&T Wireless **Planner:** Ashley Lindsay

RF Engineer Consultant: Hammett & Edison **Phone Number:** (707) 996-5200

Project Address/Location: 590 02ND Av

Site ID: 3373 **SiteNo.:** CCL03293 **Report Dated:** 4/19/2019

The following information is required to be provided before approval of this project can be made. These information requirements are established in the San Francisco Planning Department Wireless Telecommunications Services Facility Sitting Guidelines dated August 1996.

In order to facilitate quicker approval of this project, it is recommended that the project sponsor review this document before submitting the proposal to ensure that all requirements are included.

X 1. The location, identity and total number of all operational radiating antennas installed at this site was provided. (WTS-FSG, Section 10.4.1, Section 11, 2b)

Number of Existing Antennas: 0

X 2. A list of all radiating antennas located within 100 feet of the site which could contribute to the cumulative radio frequency energy at this location was provided. (WTS-FSG, Section 10.5.2)

Yes **No**

X 3. A narrative description of the proposed work for this project was provided. The description should be consistent with scope of work for the final installation drawings. (WTS-FSG, Section 10)

Yes **No**

X 4. An inventory of the make and model of antennas or transmitting equipment being installed or removed was provided. The antenna inventory included the proposed installation height above the nearest walking/working surface, the height above ground level and the orientations of the antennas. (WTS-FSG, Section 10.5.2)

Yes **No**

X 5. A description of the existing radio frequency energy environment at the nearest walking/working surface to the antennas and at ground level was provided. A description of any assumptions made when doing the calculations was also provided. (WTS-FSG, Section 10.4.1a, Section 10.4.1c, Section 10.5)

Yes **No**

X 6. The maximum effective radiated power per sector for the proposed installation was provided along with the frequency bands used by the antennas. (WTS-FSG, Section 10.1.2, Section 10.5.1)

Maximum Effective Radiated Power: 18870 Watts

X 7. Based on the antenna orientation, the maximum cumulative predicted radio frequency energy level for any nearby publicly accessible building or area was provided. (WTS-FSG, Section 10.4, Section 10.5.1)

Maximum percent of applicable FCC public standard at the nearest building or structure: 98 %

Distance to this nearby building or structure: 12 feet

X 8. The estimated maximum cumulative radio frequency fields for the proposed site at ground level. (WTS-FSG, Section 10.5)

Maximum RF Exposure: 0.18 mW/cm² Maximum RF Exposure Percent: 23 %

X 9. The maximum distance (in feet) the three dimensional perimeter of the radio frequency energy level equal to the public and occupational exposure limit is calculated to extend from the face of the antennas was provided. Any potential walking/working surfaces exceeding regulatory standards were identified. (WTS-FSG, Section 10.9.2)

Public Exclusion Area

Public Exclusion In Feet: 90

Occupational Exclusion Area

Occupational Exclusion In Feet: 39

X 10. A description of whether or not the public has access to the antennas was provided. A description was also provided of any existing or proposed warning signs, barricades, barriers, rooftop stripping or other safety precautions for people nearing the equipment as may be required by any applicable FCC-adopted standards. All signs will be provided in English, Spanish and Chinese. (WTS-FSG, Section 9.5, Section 10.9.2)

Yes

No

X 11. Statement regarding the engineer who produced the report and their qualifications was provided. The engineer is licensed in the State of California. (WTS-FSG, Section 11,8)

Yes

No

X **Approved.** Based on the information provided the following staff believes that the project proposal will comply with the current Federal Communication Commission safety standards for radiofrequency radiation exposure. FCC standard CFR47 1.1310 **Approval of the subsequent Project Implementation Report is based on project sponsor completing recommendations by project consultant and DPH.**

Comments:

There are 0 antennas existing operated by AT&T Wireless installed on the roof top of the building at 590 02ND Av. Existing RF levels at ground level were around 1% of the FCC public exposure limit. No other antennas were observed within 100 feet of this site. AT&T Wireless proposes to install 10 new antennas. The antennas are mounted at a height of 45 feet above the ground and 4 feet above the roof. The estimated ambient RF field from the proposed AT&T Wireless transmitters at ground level is calculated to be 0.18 mW/sq cm., which is 23 % of the FCC public exposure limit. The three dimensional perimeter of RF levels equal to the public exposure limit extends 90 feet and does not reach any publicly accessible areas. Warning signs must be posted at the antennas and roof access points in English, Spanish and Chinese. Workers should not have access to within 39 feet of the front of the antennas while they are in operation. Barricades shall be installed as noted in Figure 1 of the RF report. In addition, measurements shall be taken at the site and the building to the north to ensure compliance with the FCC Public Standard. "Worker Notification Areas" shall be marked with yellow paint stripes and that "Prohibited Access Areas" shall be marked with red paint stripes on the roof of the building, as shown in Figure 1 of the RF report, to identify areas within which exposure levels are calculated to exceed the FCC public and occupational limits.

 Not Approved, additional information required.

 Not Approved, does not comply with Federal Communication Commission safety standards for radiofrequency radiation exposure. FCC Standard

 1 Hours spent reviewing

Charges to Project Sponsor (in addition to previous charges, to be received at time of receipt by Sponsor)

Dated: 7/19/2019

Signed: _____



Arthur Duque

Environmental Health Management Section
San Francisco Dept. of Public Health
1390 Market St., Suite 210,
San Francisco, CA. 94102
(415) 252-3966



HAMMETT & EDISON, INC.
CONSULTING ENGINEERS
BROADCAST & WIRELESS

WILLIAM F. HAMMETT, P.E.
RAJAT MATHUR, P.E.
ROBERT P. SMITH, JR.
ANDREA L. BRIGHT, P.E.
NEIL J. OLIJ, P.E.
BRIAN F. PALMER
MANAS REDDY
M. DANIEL RO

ROBERT L. HAMMETT, P.E.
1920-2002
EDWARD EDISON, P.E.
1920-2009

DANE E. ERICKSEN, P.E.
CONSULTANT

BY E-MAIL MHILL@J5IP.COM

April 19, 2019

Ms. Misako Hill
Senior Project Manager/Zoning Specialist
J5 Infrastructure Partners
2030 Main Street, Suite 1300
Irvine, California 92614

Dear Misako:

As requested, we have conducted the review required by the City of San Francisco of the coverage maps that AT&T Mobility will submit as part of its application package for its base station proposed to be located at 590 Second Avenue (Site No. CCL03293). This is to fulfill the submittal requirements for Planning Department review.

Executive Summary

We concur with the maps provided by AT&T. The maps provided to show the before and after conditions accurately represent the carrier's present and post-installation indoor coverage.

AT&T proposes to install three CommScope Model NNHH-65A and seven CCI Model BSA-M65R-BUU-H4 directional panel antennas. The CCI antennas would be mounted at an effective height of about 45 feet above ground, 4 feet above the roof, would be oriented in groups of three and four toward 0°T and 230°T, and would employ up to 4° and 14° downtilt, respectively. The three CommScope antennas would be mounted at an effective height of about 45 feet above ground, 4 feet above the roof, would be oriented toward 120°T, and would employ up to 16° downtilt. The maximum effective radiated power proposed by AT&T in any direction would be 18,870 watts, representing simultaneous operation at 3,210 watts for WCS, 5,280 watts for AWS, 4,620 watts for PCS, 1,800 watts for cellular, and 3,960 watts for 700 MHz service.

AT&T provided for review two coverage maps, dated March 21, 2019, attached for reference. The maps show AT&T's 4G LTE indoor coverage in the area before and after the site is operational. Both the before and after maps show three levels of coverage, which AT&T colors and defines as follows:

Ms. Misako Hill, page 2
April 19, 2019

Green	In-building service
Yellow	In-transit service
Blue	Outdoor service

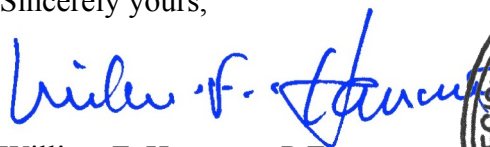
We undertook a two-step process in our review. As a first step, we obtained information from AT&T on the software and the service thresholds that were used to generate its coverage maps. This carrier uses commercially available software to produce the maps. The outdoor service thresholds that AT&T uses to estimate indoor service are in line with industry standards, similar to the thresholds used by other wireless service providers.

As a second step, we conducted our own drive test, using an Ascom TEMS Pocket network diagnostic tool with built-in GPS, to measure the actual AT&T LTE 4G signal strength in the vicinity of the proposed site. Our fieldwork was conducted on January 17, 2019, between 9:50 AM and 10:40 AM, along a measurement route selected to cover all the streets within the map area that AT&T had indicated would receive improved service.

Based on the measurement data, we conclude that the AT&T 4G LTE coverage map showing the service area without the proposed installation includes areas of relatively weak signal levels in the carrier's present indoor coverage. The map submitted to show the after coverage with the proposed base station in operation was reportedly prepared on the same basis as the map of the existing conditions and so is expected to accurately illustrate the improvements in coverage.

We appreciate the opportunity to be of service. Please let us know if any questions arise on this matter.

Sincerely yours,



William F. Hammett, P.E.

scn

Enclosures





HAMMETT & EDISON, INC.
CONSULTING ENGINEERS
BROADCAST & WIRELESS

BY E-MAIL DTURNER@J5IP.COM

March 17, 2020

Mr. Derek Turner
J5 Infrastructure Partners
2030 Main Street, Suite 200
Irvine, California 92614

Dear Derek:

As requested, we have reviewed the options you sent us for the proposed AT&T base station, to be sited on the roof of the residential building at 590 Second Avenue in San Francisco.

As we indicated in earlier analyses, the primary issue that needs to be addressed from an RF compliance standpoint is access to the fire escape ladders at various locations on the roof. The San Francisco Fire Department requires a 4-foot clearance from roof access locations to fire escapes. This limits what sections of the roof can be barricaded and striped, as required by the FCC and the City.

Option 2 on the figure you sent from All States would not comply with the compliance requirements. As shown in the attached Figure 1, due to the setback from the edge of the roof for both the Sector B/E and Sector C antennas, the resulting striping and barricades needed would extend across the breadth of the roof, blocking access from the roof access door on the northwest to the fire escape ladder on the west edge of the roof. The reason that the Sector A/D antennas do not have this issue is that they are up against the north edge of the building, so there is no roof space in front of them for striping to become an issue.

We hope this addresses the feasibility of Option 2. Please let us know if you have any further questions.

Sincerely yours,

William F. Hammett, P.E.

lw

Attachment

cc: Mr. Edwin Aviles – BY EMAIL EA5477@ATT.COM
Mr. Evan Wynns – BY EMAIL EWYNNNS@J5IP.COM
Ms. Misako Hill – BY EMAIL MHILL@J5IP.COM
Mr. Roger Flores – BY EMAIL ROGER@ZALZALI.COM

WILLIAM F. HAMMETT, P.E.
RAJAT MATHUR, P.E.
ROBERT P. SMITH, JR.
ANDREA L. BRIGHT, P.E.
NEIL J. OLIJ, P.E.
MANAS REDDY, P.E.
BRIAN F. PALMER
M. DANIEL RO

ROBERT L. HAMMETT, P.E.
1920-2002
EDWARD EDISON, P.E.
1920-2009

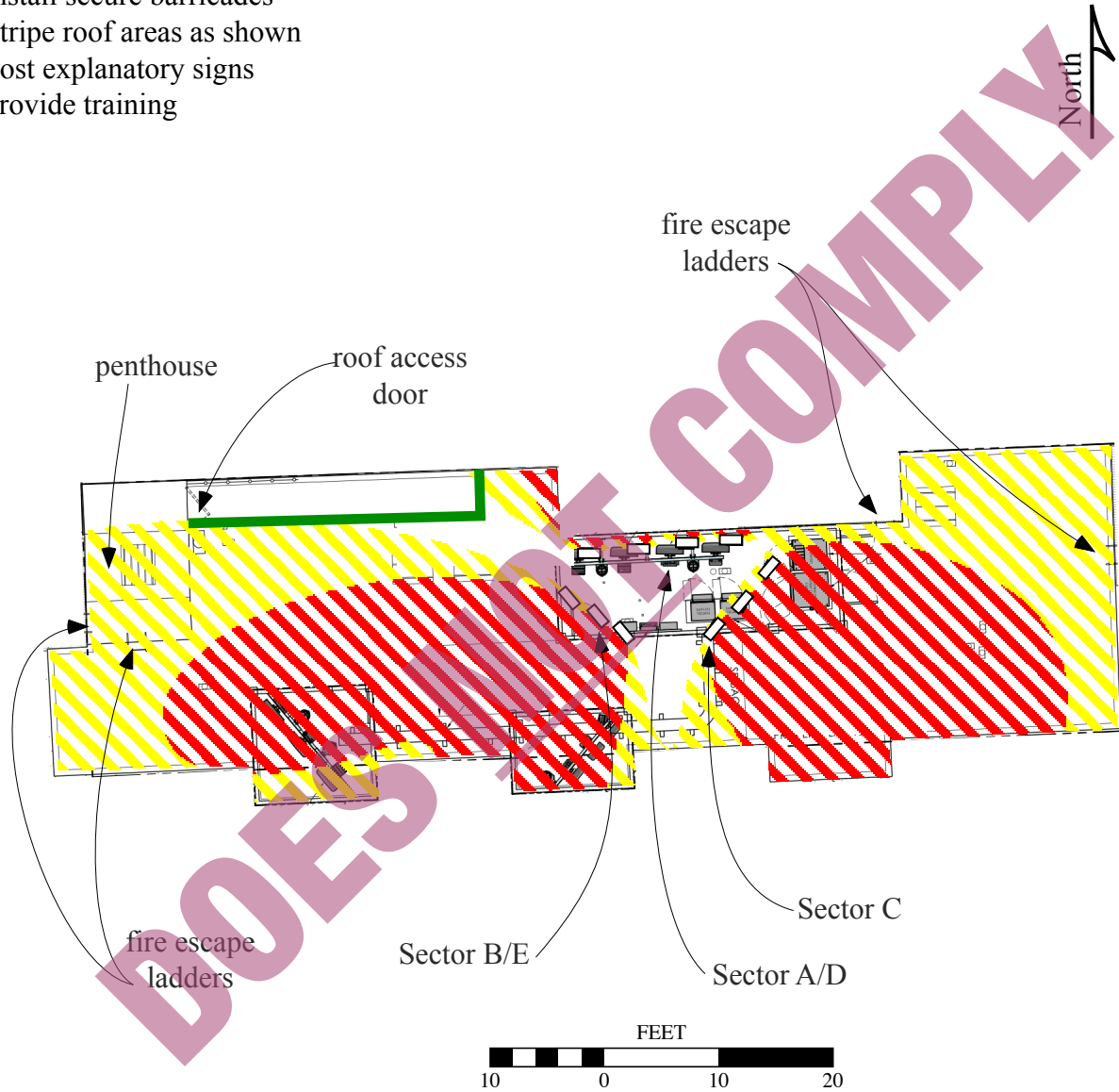
DANE E. ERICKSEN, P.E.
CONSULTANT



Calculated RF Exposure Levels on Roof (Option 2)

Recommended Compliance Measures


- Install secure barricades
- Stripe roof areas as shown
- Post explanatory signs
- Provide training



Notes: See text.

Base drawing from All States Engineering & Surveying, dated February 6, 2020.

Calculations performed according to OET Bulletin 65, August 1997.

Legend:	Less Than Public	Exceeds Public	Exceeds Occupational	Exceeds 10x Occupational
Striping color	blank	yellow	red	N/A
Sign type	I - Green INFORMATION	B - Blue NOTICE	Y - Yellow CAUTION	O - Orange WARNING
Barricades shown as green lines				

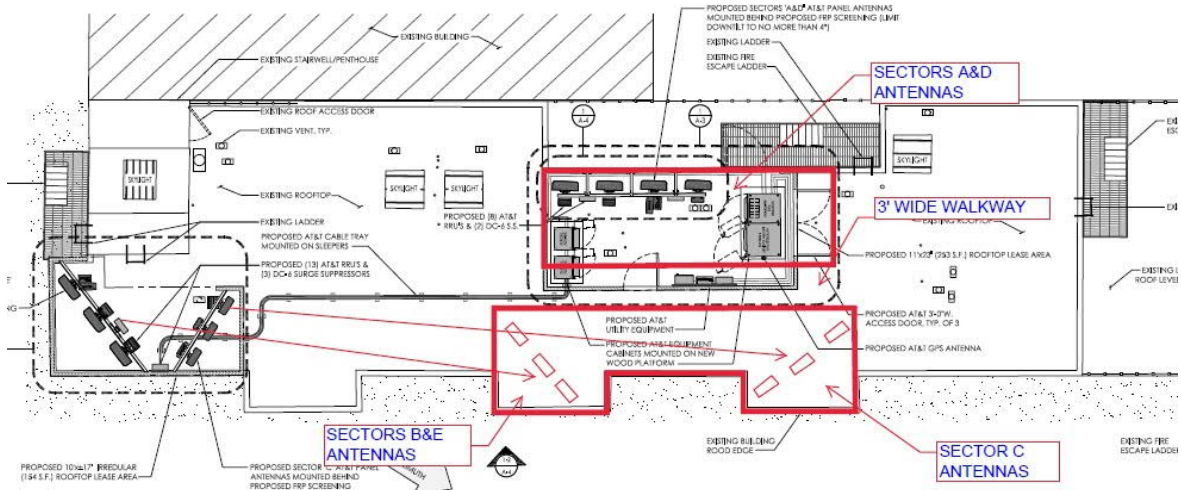


Feb 27, 2020

J5 – AT&T / RSFR NSB CCL03293 – Low Apartments

Project Name: **RSFR NSB CCL03293 – Low Apartments**
Project Address: **590 2ND Avenue, San Francisco, CA 94118**
Subject: **AT&T – Planning Comments**
RE: **In response to all possible options explored**

There are 4 possible designs and 3 that work for this very small rooftop.
Option 1 allows the design to maximize the coverage of the neighborhood.
Option 2 causes shadowing and would make the site null and void.
Option 3 is similar to option 1 with the 2 sectors just shifted west by one window area.
Option 4 is what was originally proposed would works as well with the 2 sectors in the West corner of the roof in black.



Option 2

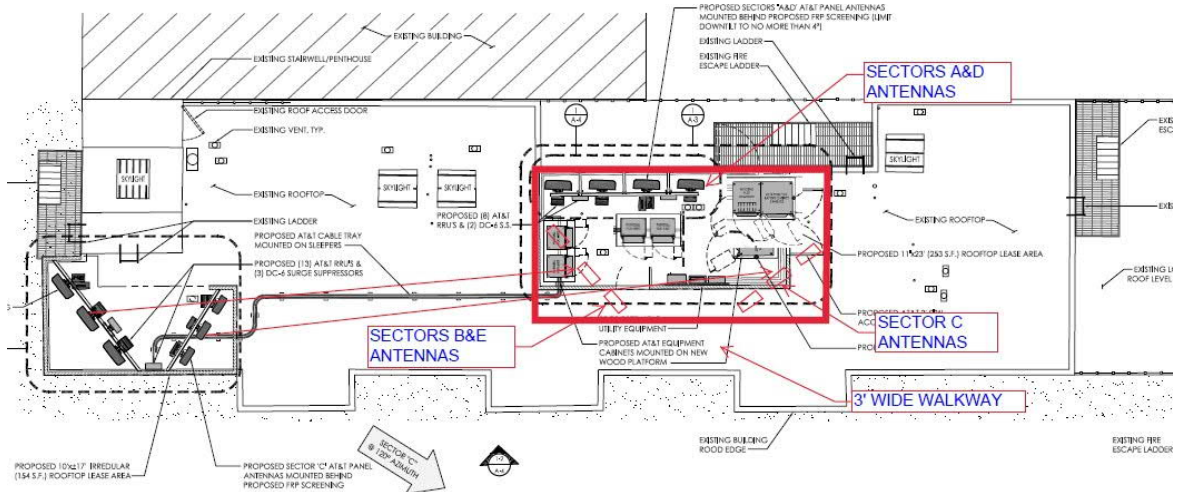
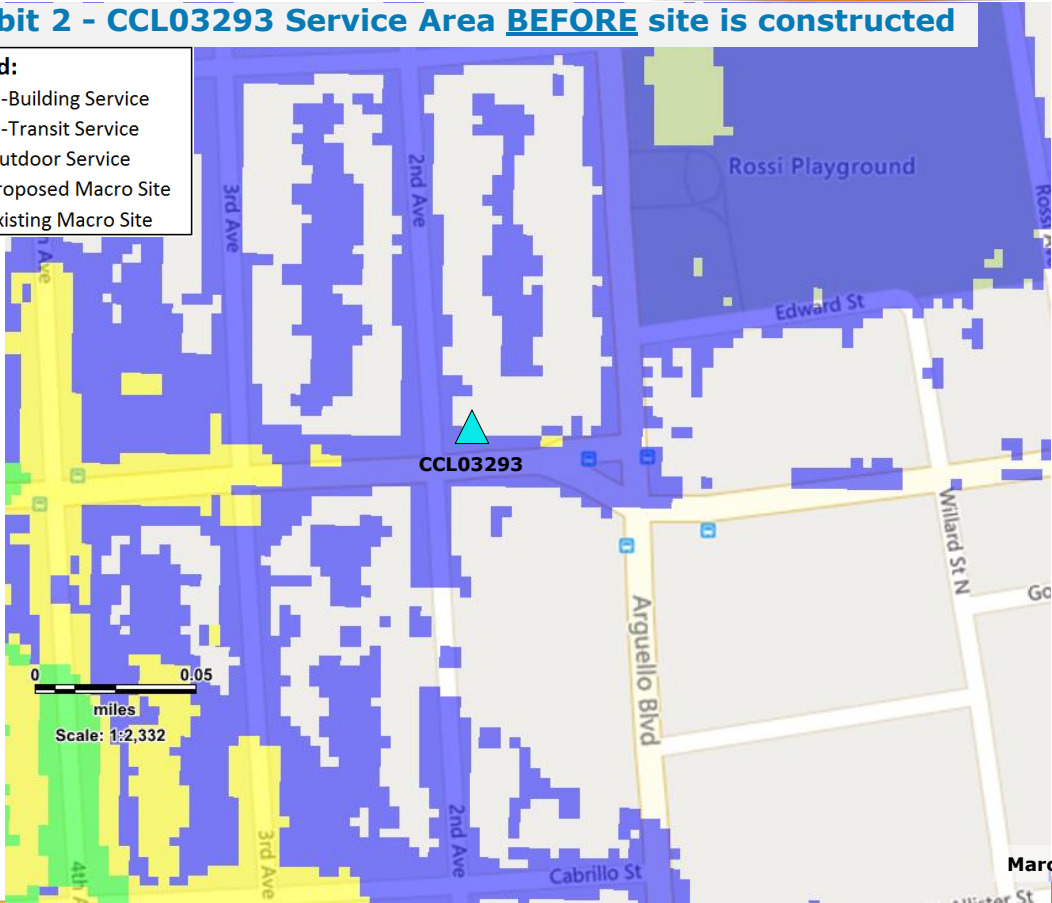


Exhibit 2 - CCL03293 Service Area BEFORE site is constructed

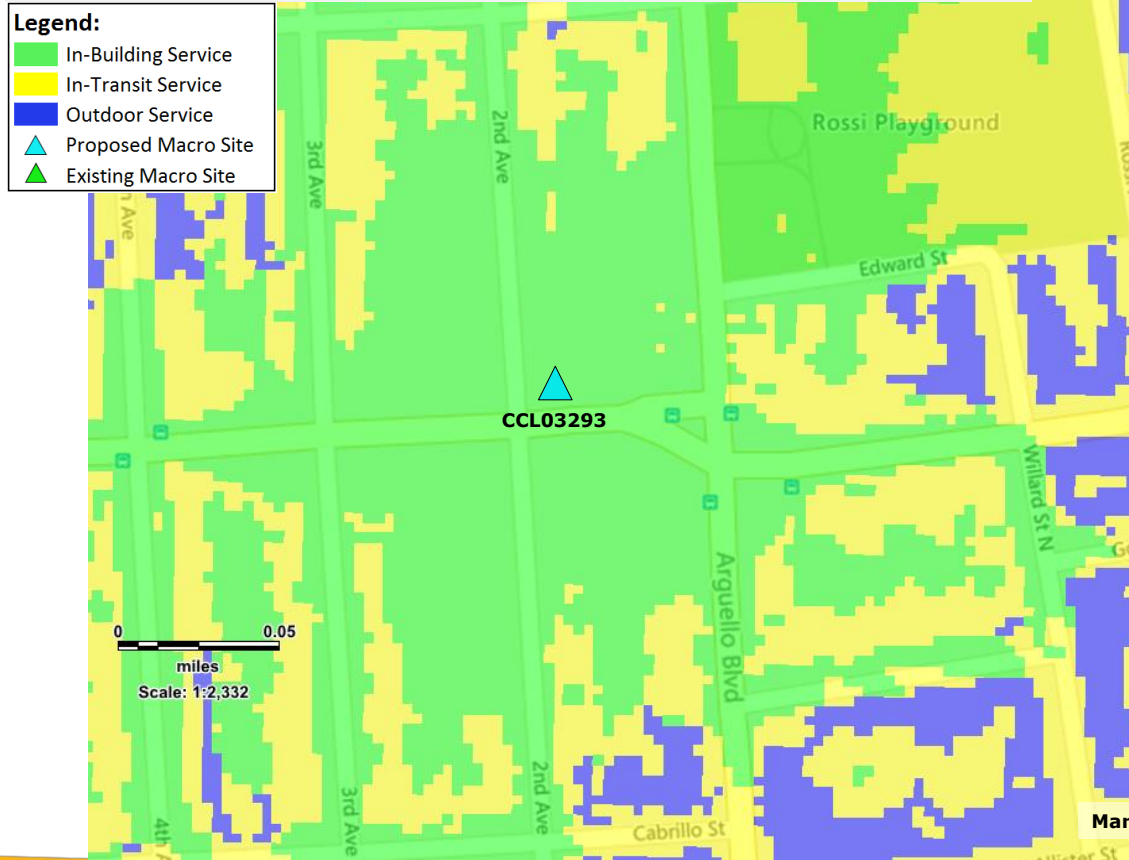
- Legend:**
- In-Building Service
 - In-Transit Service
 - Outdoor Service
 - Proposed Macro Site
 - Existing Macro Site



March 21, 2019



Exhibit 3 - CCL03293 Service Area AFTER site is constructed



**AT&T MOBILITY
ALTERNATIVE SITE ANALYSIS
CCL03293**



**Proposed Site Address:
590 2nd Avenue
San Francisco, CA 94118
Block / Lot: 1544 -026**

June 5, 2019



PROJECT SITE	590 2nd Avenue, San Francisco, CA 94118
Existing AT&T Site	Geary Blvd and 9 th Avenue, San Francisco, CA 94118
Existing AT&T Site	431 Balboa Avenue, San Francisco, CA 94118
Existing AT&T Site	2696 Geary Blvd, San Francisco, CA 94118
Existing AT&T Site	2350 Turk Blvd, San Francisco, CA 94118

The Location Preference of the proposed facility in Section 8.1 of the WTS facilities Siting Guidelines is Preference 7. Disfavored Site: Building is located in a RM-2 zoning district.

The Planning Commission will not approve applications for such sites unless the application

(a) shows what publicly-used building, co-location site or other Preferred Location Sites are located within the geographic service area;

The only publicly-used building is the Rossi Pool building in Rossi Park, 600 Arguello Blvd, San Francisco, CA 94118 / Parcel # 1140A001. There are no co-location sites in the AT&T search ring.

(b) shows by clear and convincing evidence what good faith efforts and measures to secure these Preferred Location Sites were taken;

Viability of new cell site on Rossi pool rooftop or new pole structure sent to Dana Ketchum with SF Rec & Parks. The pool building rooftop may not be structurally viable and a new stealth pole structure will most likely be required.

(c) explains why such efforts were unsuccessful; and

SF Rec & Parks will not allow a free-standing pole structure in the park. Also, Rossi Pool is being renovated and a rooftop cell site may not be viable.

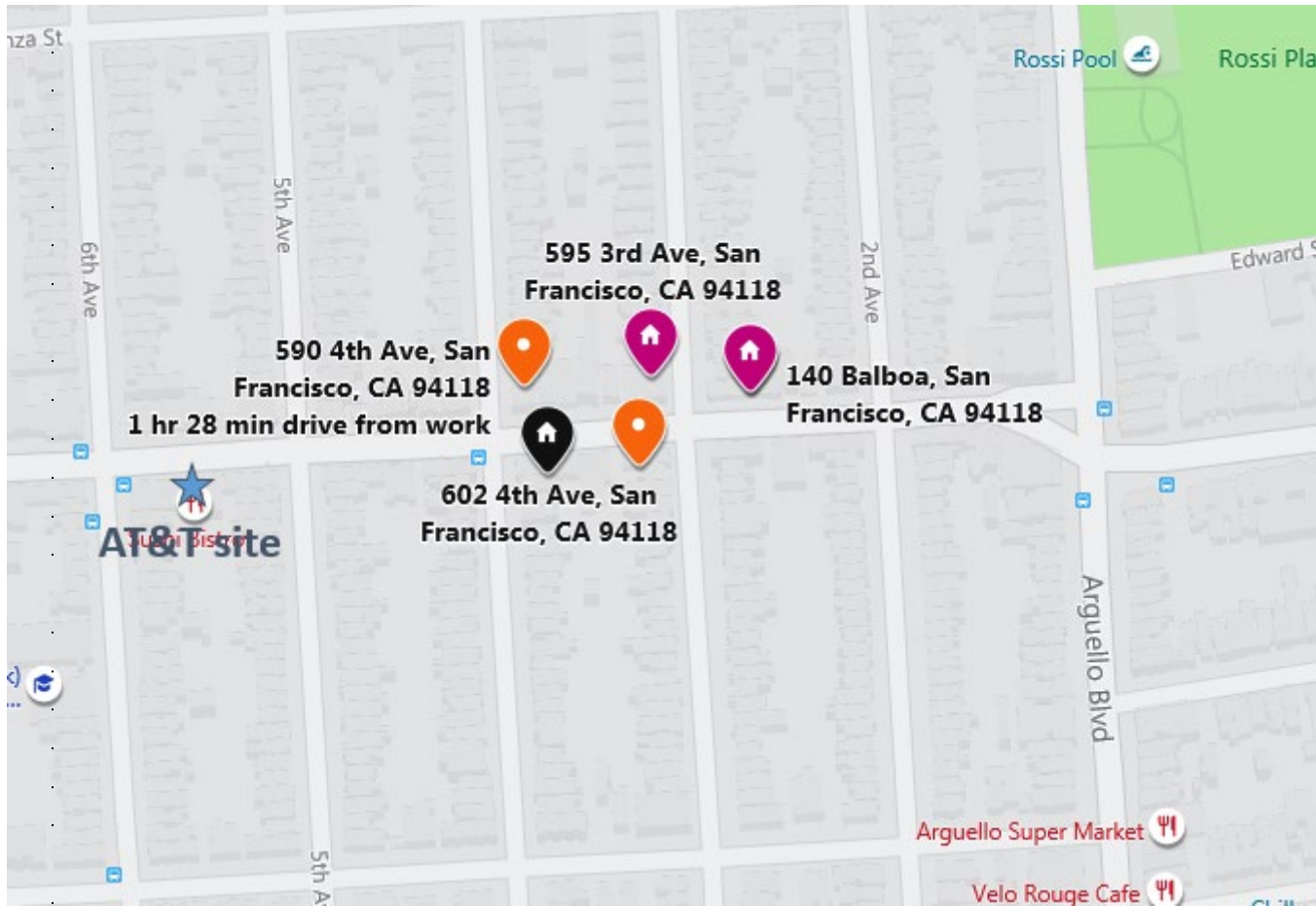
(d) demonstrates that the location for the site is essential to meet demands in the geographic service area and the Applicant's citywide network, provided, however, that facilities placed on publicly-used structures, as defined in Paragraph 1 above, or in co-location sites as defined in Paragraph 2 above, in these zoning districts shall not be disfavored sites and may be approved for a WTS installation by the Planning Commission. An application for installation of a WTS facility on a publicly-used structure shall not be considered a disfavored site and need not satisfy the justification conditions herein for use of disfavored sites.

The proposed site at 590 2nd Avenue is essential and meets the demands in the geographic service area and the AT&T's citywide network. The submitted coverage maps show the service gap and how the proposed site will fill it.

A co-location site within these zoning districts, meeting the criteria of Paragraph 2 above, shall not be considered a disfavored site and need not satisfy the justification conditions herein for use of disfavored sites.

There are no co-location sites in the AT&T search ring.

	Site Address	Reason for Rejection	Location Preference
Alternate Site 1	3138 Turk Blvd	On 11/15/17 AT&T sent a Letter of Interest via Fedex to the property owner regarding installation of a rooftop cell site. AT&T also called the property owner and has not received communication expressing interest in a lease agreement.	Preference 7
Alternate Site 2	3144 Turk Blvd	On 11/15/17 AT&T sent a Letter of Interest via Fedex to the property owner regarding installation of a rooftop cell site. AT&T also called the property owner and has not received communication expressing interest in a lease agreement.	Preference 7
Alternate Site 3	621 Arguello Blvd	On 11/15/17 AT&T sent a Letter of Interest via Fedex to the property owner regarding installation of a rooftop cell site. AT&T also called the property owner and has not received communication expressing interest in a lease agreement.	Preference 7
Alternate Site 4	625 Arguello Blvd	On 11/15/17 AT&T sent a Letter of Interest via Fedex to the property owner regarding installation of a rooftop cell site. AT&T also called the property owner and has not received communication expressing interest in a lease agreement.	Preference 7
Alternate Site 5	629 Arguello Blvd	On 11/15/17 AT&T sent a Letter of Interest via Fedex to the property owner regarding installation of a rooftop cell site. AT&T also called the property owner and has not received communication expressing interest in a lease agreement.	Preference 7
Alternate Site 6	656 Arguello Blvd	On 11/15/17 AT&T sent a Letter of Interest via Fedex to the property owner regarding installation of a rooftop cell site. AT&T also called the property owner and has not received communication expressing interest in a lease agreement.	Preference 7
Alternate Site 7	672 Arguello Blvd	On 11/15/17 AT&T sent a Letter of Interest via Fedex to the property owner regarding installation of a rooftop cell site. AT&T also called the property owner and has not received communication expressing interest in a lease agreement.	Preference 7
Alternate Site 8	677 Arguello Blvd	On 11/15/17 AT&T sent a Letter of Interest via Fedex to the property owner regarding installation of a rooftop cell site. AT&T also called the property owner and has not received communication expressing interest in a lease agreement.	Preference 7
Alternate Site 9	690 Arguello Blvd	On 11/15/17 AT&T sent a Letter of Interest via Fedex to the property owner regarding installation of a rooftop cell site. AT&T also called the property owner and has not received communication expressing interest in a lease agreement	Preference 7
Alternate Site 10	699 Arguello Blvd	On 11/15/17 AT&T sent a Letter of Interest via Fedex to the property owner regarding installation of a rooftop cell site. AT&T also called the property owner and has not received communication expressing interest in a lease agreement	Preference 7
Alternate Site 11	707 Arguello Blvd	707 Arguello Blvd Owner declined to move forward with lease agreement with AT&T.	Preference 7
Alternate Site 12	24 Balboa St	On 11/15/17 AT&T sent a Letter of Interest via Fedex to the property owner regarding installation of a rooftop cell site. AT&T also called the property owner and has not received communication expressing interest in a lease agreement	Preference 7
Alternate Site 13	26 Balboa St	On 11/15/17 AT&T sent a Letter of Interest via Fedex to the property owner regarding installation of a rooftop cell site. AT&T also called the property owner and has not received communication expressing interest in a lease agreement	Preference 7
Alternate Site 14	25 Willard St N	On 11/15/17 AT&T sent a Letter of Interest via Fedex to the property owner regarding installation of a rooftop cell site. AT&T also called the property owner and has not received communication expressing interest in a lease agreement	Preference 7
Alternate Site 15	67 Rossi Ave	67 Rossi Ave Building roof is not large enough to accommodate AT&T antennas and there is not ground space or roof space for the required equipment cabinets.	Preference 7



None of the candidates are viable because they are close to an existing AT&T site. Our original search ring is at the Rossi Playground.

There is a NC-2 zoning district adjacent to the intersection of 4th Ave and Balboa; however, the intersection mentioned is too close to the existing site at 6th and Balboa so it is not feasible for ATT.

Cumulative Effects

AT&T Mobility Cell Site at 590 2nd Avenue, San Francisco, CA, 94118

Block / Lot: 1544 -026

MOUNTED EQUIPMENT

Number and Location of Proposed Antennas and Back-up Equipment

Antennas: 10 installed on building rooftop

Equipment: The associated radio equipment, backup batteries, and telco/power panels will be located on the roof of the building and not visible to the public.

List of Facilities per Building

There are no other wireless communication facilities on the subject building.

Height of Proposed Facility

Top of FRP Screen/Antennas: 47 feet

Dimensions of Proposed Antennas and Back-up Equipment

Antenna Array:

3 antenna sectors within FRP enclosures

10 panel antennas

21 remote radio heads (RRHs)

5 DC-6 surge suppressors

1 GPS antenna

Coax cable trays

Base Station:

1 Emerson DC Power Plant cabinet

1 200A AC Power Panel

1 Generator Plug

1 Ciena and Hoffman box

1 Emerson battery cabinet w/ (8) batteries

2 Purcell cabinets

Power Rating for Proposed Base Station

Power and Telco is supplied via a ground floor power. Single phase 208/240 volts at 200 amps.

Method of Attachment / Screening

The proposed antennas will be located on the roof and screened with FRP. The equipment will be on the roof on a steel platform. All antenna Sectors will be installed behind FRP screen walls painted and textured to match the existing building.

LETTER OF AUTHORIZATION

TO: City and County of San Francisco

RE: APPLICATION FOR JURISDICTIONAL PERMITS AND APPROVALS

The property owner(s) of the below-described property do hereby appoint New Cingular Wireless, PCS, LLC, a Delaware Limited Liability Company (dba AT&T Mobility) and its employees, agents and contractors, as agent for the purpose of consummating any application and obtaining any and all governmental permits and approvals to construct, maintain and operate mobile/wireless communications facilities on the below-described property. The undersigned understand that the application may be denied, modified or approved with conditions and that such conditions or modifications must be complied with prior to issuance of permits or approvals.

Agent: Misako Hill and Derek Turner, J5 Infrastructure Partners

Address: 590 2nd Avenue, San Francisco CA 94118

Assessor's Parcel Number: 1544-026

Signature of Property Owner(s)/Authorized Agent(s):

Sign: _____
Print: Harry W.M. Law
Title: OWNER
Date: MAY 20, 2019



March 26, 2018

RE: Agent Authorization at AT&T Mobility Site

To: City of San Francisco Planning Department
Department of Building Inspection
San Francisco Redevelopment Agency
San Francisco Department of Public Health

The intent of this letter is to provide notification that AT&T Mobility has engaged J5 Infrastructure Partners as its contract representative to perform Leasing, Permitting and Site Evaluation services in order to expand AT&T Mobility's wireless network coverage in the Northern California and Nevada market.

Misako Hill and Derek Turner, as J5 Infrastructure Partners staff members, are authorized representatives of AT&T Mobility (aka New Cingular Wireless PCS, LLC) and may act on AT&T Mobility's behalf as its agent for the purpose of obtaining governmental permits and approvals to construct, maintain and operate mobile/wireless communications facilities. The undersigned understands that the application may be denied, modified or approved with conditions and those conditions or modifications must be complied with prior to issuance of permits or approvals

We are available for any questions, comments or concerns.

Respectfully yours,

A handwritten signature in black ink that reads "Tayiika Logan-Burks". The signature is written in a cursive style with a long horizontal flourish at the end.

Tayiika (Ty) Logan-Burks
Senior Tech Vendor Manager Construction & Engineering
AT&T Technology Operations
Construction & Engineering - South
5001 Executive Parkway, 4W550E
San Ramon, CA 94583
O: 925.277.6090
M: 925.549.4671
t1784a@att.com

Summary of Discussion from CUP Meeting Site No. APN1544-026 (590 2nd Avenue)

Meeting Date: Wednesday, November 7, 2018

Meeting Time: 6:00pm – 7:30pm

Meeting Address: Richmond Police Station, 461 6th Avenue

Project Address: 590 2nd Avenue

Project Representatives:

- Cammy Blackstone, AT&T External Affairs
- Michael Caniglia, AT&T Mobility
- Derek Turner, J5 Infrastructure Partners
- Raj Mather, Hammett & Edison
- Aishleen Spiers, BergDavis Public Affairs

Summary

AT&T Mobility held a community meeting on Wednesday, November 7, 2018 from 6:00pm – 7:30pm to share its plans to install (12) panel antennas inside proposed FRP screening on the rooftop of 590 2nd Avenue. Five community members attended the meeting, as well as the building's owner. See attached sign-in sheet.

Prior to the commencement of the meeting, the building's owner mentioned having received complaints from a few residents. AT&T representative Cammy Blackstone also expressed having received a call from Supervisor Sandra Lee Fewer's office regarding constituent concerns they had received.

AT&T commenced the meeting explaining the need for the proposed facility, reviewing the design and discussing the planning process and expected timeline. The project representatives noted that the current designs were preliminary and they had received instructions from the City to make several design changes before submitting an application to the Planning Department.

The community members that attended the meeting are opposed to the proposed facility at 590 2nd Avenue, citing mostly health concerns. One attendant stated that she was completely opposed to the facility and would rally neighbors to attend the Planning Commission hearing in opposition.

The topics of discussion included design, site selection, shadow, noise and EMF. Below is a recap of community members' questions and answers from the project team.

Question #1: How tall are the antennas?

Answer: The antennas are approximately 4 feet tall, while the panels are approximately 5 feet tall.

Question #2: Where is the nearest similar structure?

Answer: The nearest similar structure is located at Balboa & 6th Avenue.

Question #3: Will there be any noise emitted from the radio equipment located on the lower level?

Answer: The radio equipment emits minimal noise and complies with the San Francisco Noise Ordinance.

Question #4: Will this structure block the sun from hitting my backyard?

Answer: Once the planned alterations to the design are completed, there will not be shadow on your backyard.

Question #5: Will there be any impact on solar panels?

Answer: No, the antennas do not impact solar panels.

Question #6: Why did you chose this site?

Answer: AT&T chose this site to improve poor existing coverage in the area as capacity and use continue to increase dramatically.

Question #7: Will people who move into the building be notified of the existing antennas?

Answer: The location of all antennas is public information available on the San Francisco Planning Department's website.

Question #8: Has Hammett & Edison already given its stamp of approval on this project?

Answer: No, this design is preliminary and we are in the midst of the review process.

EMF

There was extensive discussion concerning RF exposure, safety standards, measurements and research. Meeting attendants were especially interested in FCC limits and any information on long term health impacts. AT&T informed meeting attendees, if requested, they would send a third-party engineer to measure RF levels before and after the installation of the proposed antennas.



AT&T Community Meeting
Proposed Site: 590 2nd Avenue, San Francisco, CA 94118
November 7, 2018

NAME	ADDRESS	PHONE	EMAIL
Ann + David Green	588 2nd Ave	415 860 8215	anniegst@gmail.com
J Lavroushin			jlavroushin@yahoo.com
L Brewer	548 2nd Ave	415-668-0793	lbrewer@sfu.edu
Miu Ling	527 2ND AVE	415-810-9173	

**NOTICE OF COMMUNITY OUTREACH MEETING ON A WIRELESS COMMUNICATION
FACILITY PROPOSED IN YOUR NEIGHBORHOOD**

To: Neighborhood Groups and Neighbors & Owners within 500' radius 590 2nd Avenue, San Francisco, CA 94118

Meeting Information

Date: WEDNESDAY, November 7, 2018
Time: 6:00 p.m.

Where: Richmond Police Station

461 6th Ave, San Francisco, CA 94118

Site Information

Address: 590 2nd Avenue
San Francisco, CA 94118
Assessor Parcel Number: 1544 -026
Zoning: RM-2 - Residential- Mixed, Moderate
Density
Building Use: Residential Apartments

Applicant

AT&T Mobility

Contact Information AT&T

Mobility Hotline: (415) 646-0972

AT&T Mobility is proposing to install a wireless communication facility at 590 2nd Avenue needed by AT&T Mobility as part of its San Francisco wireless network. The proposed site is an unmanned facility consisting of the installation of twelve (12) panel antennas. The antennas will be mounted and screened on the roof. The associated equipment will also be located on the roof and not visible to the public. Plans and photo simulations will be available for your review at the meeting. You are invited to attend an informational community meeting located at the Richmond Police Station on WEDNESDAY, November 7, 2018 at 6:00 p.m. to learn more about the project.

If you have any questions regarding the proposal and are unable to attend the meeting, please contact the AT&T Mobility Hotline at (415) 646-0972 and an AT&T Mobility specialist will return your call. Please contact the San Francisco Planning Department CPC Wireless Team at (415) 558-6378 if you have any questions regarding the planning process.

NOTE: If you require an interpreter to be present at the meeting or need an assistive hearing device, please contact our office at (415) 729-5110 no later than 5:00pm on Wednesday, October 24, 2018 and we will make every effort to accommodate your request.

**NOTIFICACIÓN DE REUNIÓN DE ALCANCE COMUNITARIO SOBRE UNA INSTALACIÓN DE
COMUNICACIONES INALÁMBRICAS PROPUESTA EN SU VECINDARIO**

Para: Grupos del vecindario, vecinos y propietarios dentro de un radio de 500' de 590 2nd Avenue, San Francisco, CA 94118

Información de la reunión

Fecha: miércoles, 7 de noviembre de 2018
Hora: 6:00 p.m.

Dónde: Richmond Police Station

461 6th Ave, San Francisco, CA 94118

Información del lugar

Dirección: 590 2nd Avenue
San Francisco, CA 94118
Parcelas tasadas número: 1544 -026
Zonificación: RM-2 Residencial mixto,
moderada densidad
Uso del edificio: Apartamentos residenciales

Solicitante:

AT&T Mobility

Información de contacto: AT&T

Mobility Hotline: (415) 646-0972

Francisco, CA 94118

AT&T Mobility propone instalar una instalación de comunicaciones inalámbricas en 590 2nd Avenue necesaria para AT&T Mobility como parte de su red inalámbrica en San Francisco. La ubicación propuesta de AT&T Mobility es una instalación sin personal que consiste en la instalación de doce (12) antenas panel. Las antenas se montarán y ocultarán de la vista en la terraza. Los equipos asociados también se ubicarían en el techo y no serían visibles para el público. Habrá planos y fotos disponibles para que usted los revise en la reunión. Se lo invita a asistir a una reunión informativa de la comunidad que se realizará en Richmond Police Station el miércoles, 7 de noviembre de 2018 a las 6:00 p.m. para tener más información sobre el proyecto.

Si tiene preguntas relacionadas con la propuesta y no puede asistir a la reunión, por favor llame a la Línea Directa de AT&T Mobility, (415) 646-0972, y un especialista de AT&T Mobility le devolverá el llamado. Por favor, contáctese con el Departamento del equipo de CPC Wireless de San Francisco al (415) 558-6378 si tiene alguna pregunta relacionada con el proceso de planificación.

NOTA: Si necesita que un intérprete esté presente en la reunión, o un dispositivo para asistencia auditiva, por favor, contáctese con nuestra oficina al (415) 729-5110 antes del miércoles, 24 de octubre de 2018 a las 5:00 p.m., y haremos todo lo posible para proporcionarle un intérprete.

社区推广会议通知：与您的小区内的无线通信设备相关的提议

致：在加州旧金山市2号大街（2nd Avenue）590号（邮编：94118）500英尺范围内的社区团体及邻居和业主

会议信息

日期：2018年11月7日星期三
WEDNESDAY, November 7, 2018
时间：下午6点

地点：里士满警察局（Richmond Police Station）
461 6th Ave, San Francisco, CA 94118

场地信息

地址：加州旧金山市2号大街590号，邮编：94118
估税员土地号：1544 -026
区划：RM-2 - 住宅 - 混合，中等密度
建筑物用途：住宅公寓

申请人

AT&T 移动

联系信息 AT&T 移动热线：(415) 646-0972

AT&T 移动提议在2号大街590号安装一个无线通信设备，作为旧金山无线网络的一部分，满足 AT&T 移动的需求。计划场地为无人设施，有十二（12）个面板天线。天线将被安装在屋顶上，并且会被掩藏起来。其他相关设备将被安装在屋顶，公众看不见的地方。将在会上向您展示计划内容及模拟图片，供您审阅。我们邀请您参加在里士满警察局（Richmond Police Station）召开的信息性社区会议，会议时间为2018年11月7日星期三下午6点整，了解更多关于该项目的信息。

您如有任何关于该提议的问题，但无法出席会议，请拨打 AT&T 移动热线：(415) 646-0972，AT&T 移动的专业人员将回复您的电话。如果您对该规划过程有任何问题，请拨打电话 (415) 558-6378，联系旧金山市规划部 CPC 无线小组。

注意：如果您在会议期间需要一名翻译人员在场或者需要使用辅助听力设备，请在2018年10月24日星期三下午5点前联系我们的办公室，联系电话 (415) 729-5110，我们将尽全力满足您的要求。

ABISO NG OUTREACH NA PULONG NG KOMUNIDAD SA PANUKALANG WIRELESS NA PASILIDAD NG KOMUNIKASYON SA INYONG KAPITBAHAYAN

Sa: Mga Pangkat ng Kapitbahayan at Mag-ari sa loob ng 500' radius ng 590 2nd Avenue, San Francisco, CA 94118

Impormasyon sa Pulong

Petsa: Miyerkules, Nobyembre 7, 2018
Oras: 6:00 p.m.

Saan: Richmond Police Station
461 6th Ave, San Francisco, CA 94118

Impormasyon sa Site

Address: 590 2nd Avenue
San Francisco, CA 94118
Numero ng Assessor Parcel: 1544 -026
Zoning: RM-2 - Residential- Mixed,
Moderate Density
Gamit sa Gusali: Residential
Apartments

Aplikante

AT&T Mobility

Impormasyon sa Pakikipag-ugnayan

AT&T Mobility Hotline
(415) 646-0972

Pinapanukala ng AT&T Mobility na magkabit ng wireless na pasilidad na pangkomunikasyon sa 590 2nd Avenue na kailangan ng AT&T Mobility bilang bahagi ng wireless network nito sa San Francisco. Ang panukalang lugar ay isang walang taong pasilidad na binubuo ng pagkakabit ng labing-dalawang (12) panel antenna. Ikakabit ang mga antenna at ii-screen sa bubong. Ang kaugnay na kagamitan ay ilalagay sa lupa at lebel ng kalye sa likod ng gusali, na hindi makikita ng publiko. Ang mga plano at simulasyong litrato ay maaari niyong repasuhin sa pulong. Iniimbitahan kayong dumalo sa impormal na pulong ng komunidad sa Richmond Police Station sa Miyerkules, Nobyembre 7, 2018, ng 6:00 p.m. para matuto pa tungkol sa proyekto.

Kung mayroon kayong anumang mga tanong tungkol sa panukala at hindi kayo makakadalo sa pulong, mangyaring makipag-ugnayan sa AT&T Mobility Hotline sa (415) 646-0972 at ang AT&T Mobility specialist ay tatawag sa iyo. Mangyaring makipag-ugnayan sa San Francisco Planning Department CPC Wireless Team sa (415) 558-6378 kung may anumang mga tanong kayo patungkol sa proseso ng pagpapalano.

TANDAAN: Kung kailangan niyong mayroong tagapagsaling-wika sa pulong o kailangan ng pantulong na aparato sa pandinig, mangyaring makipag-ugnayan sa aming tanggapan sa (415) 729-5110 nang hindi lalagpas sa 5:00pm sa Miyerkules, Oktubre 24, 2018, at gagawin namin lahat ng aming makakaya para pagbigyan ang inyong hiling.

Misako Hill, J5 Infrastructure Partners
FOR AT&T MOBILITY
1075 45th Street
Emeryville, CA 94608

OAKLAND CA 945

22 OCT 2018 PM 3 L



Neighborhood Meeting for a Wireless Facility
Reunión del vecindario por una instalación inalámbrica
无线设施邻里会议
Pulong ng komunidad para sa wireless na pasilidad

1643/049
LILLY WONG
600 2ND AV
SAN FRANCISCO CA 94118-4008

NIXIE 957 FE 1 0011/10/18

RETURN TO SENDER
NOT DELIVERABLE AS ADDRESSED
UNABLE TO FORWARD

BC: 94608332775 *1305-04127-22-43

19827000012868989

94118-400800
94608>3327

Misako Hill, J5 Infrastructure Partners
FOR AT&T MOBILITY
1075 45th Street
Emeryville, CA 94608

OAKLAND CA 945

22 OCT 2018 PM 4 L



Neighborhood Meeting for a Wireless Facility
Reunión del vecindario por una instalación inalámbrica
无线设施邻里会议
Pulong ng komunidad para sa wireless na pasilidad

1642/001
OCCUPANT
601 2ND AV
SAN FRANCISCO CA 94118-4048

NIXIE 957 SE 1 0211/10/18

RETURN TO SENDER
NOT DELIVERABLE AS ADDRESSED
UNABLE TO FORWARD

BC: 94608332775 *1405-00331-22-43

9327010731593371

94118-400700
94608>3327